

CVS Series 3400 Flameproof Smart Positioner

Introduction

The CVS 3400 is a CSA approved and Explosion Proof Rated EX db IIC T5/T6; Class 1, Zone 1, AEx db IIC T5/T6; Class II Div1 Groups E/F/G; Ex tb IIIC T85°C/T100°C; AEx tb IIIC T85°C/T100°C.

Additional certifications include ATEX and IECEX.

The CVS 3400 Smart Positioner accurately controls valve stroke using an input signal of 4 - 20 mA from the controller. The smart positioner uses torque motor control for better resistance to moisture dust and vibration.

On board micro processing optimizes the positioner performance and allows for auto calibration, PID control, alarm and HART protocol.

Output characteristics are linear, equal percent, quick open and user specified.

The LCD display enables easy monitoring of the position.



CVS 3400 Smart Positioner

PID parameters can be easily adjusted in the field by push button, information is transferred with a HART communicator.

The CVS 3400 smart positioner has analog feedback signal capability. Operating temperature limits from -40°C to 85°C (T5), -40°C – 70°C (T6)

Also available in stainless steel, model number CVS 3450.

Head Office
3900 101 Street
Edmonton, Alberta
T6E 0A5
Canada
Office: (780) 437-3055
Fax: (780) 436-5461

Calgary Sales Office
3516 114 Avenue SE
Calgary, Alberta
T2Z 3V6
Canada
Office: (403) 250-1416
Fax: (403) 291-9487

FEATURES

- LCD Display allows users to accurately monitor the positioners status.
- The positioner will continue to operate normally during sudden changes in supply pressure and/or in high vibration environment.
- The CVS 3400 low air consumption and low voltage usage minimize operating costs.
- Compatible with most controllers.
- Variable orifice can be utilized to minimize hunting and optimize operating conditions.
- Accurate and responsive valve feedback system.
- Valve characteristics are linear, quick opening and equal percent. As well as Custom 16 point user set characterizations.
- Tight shutoff – close, and shutoff – open may be set.
- PID parameters are easily field adjustable without an additional communicator.
- The Auto/Manual switch may be used to direct supply air to the actuator, or to manually operate the positioner or valve.
- Split ranges 4-12mA or 12-20mA may be set.
- Operating temperature is -40°C to 85°C(T5), -40°C – 70°C(T6).

CVS 3400 Label Description



1. Model – Indicates model number of the positioner
2. Supply – Indicates the supply pressure range
3. Amp. Temp – Indicates the allowable ambient temperature limits
4. Input Signal – Indicates the input signal range
5. Protection of Enclosure – Indicates the Enclosure Protection Rating
6. Explosion Proof – Indicates the certified explosion proof rating

Model Selection/Ordering Information:

CVS 3400 1 2 3 4 5 6 7 8

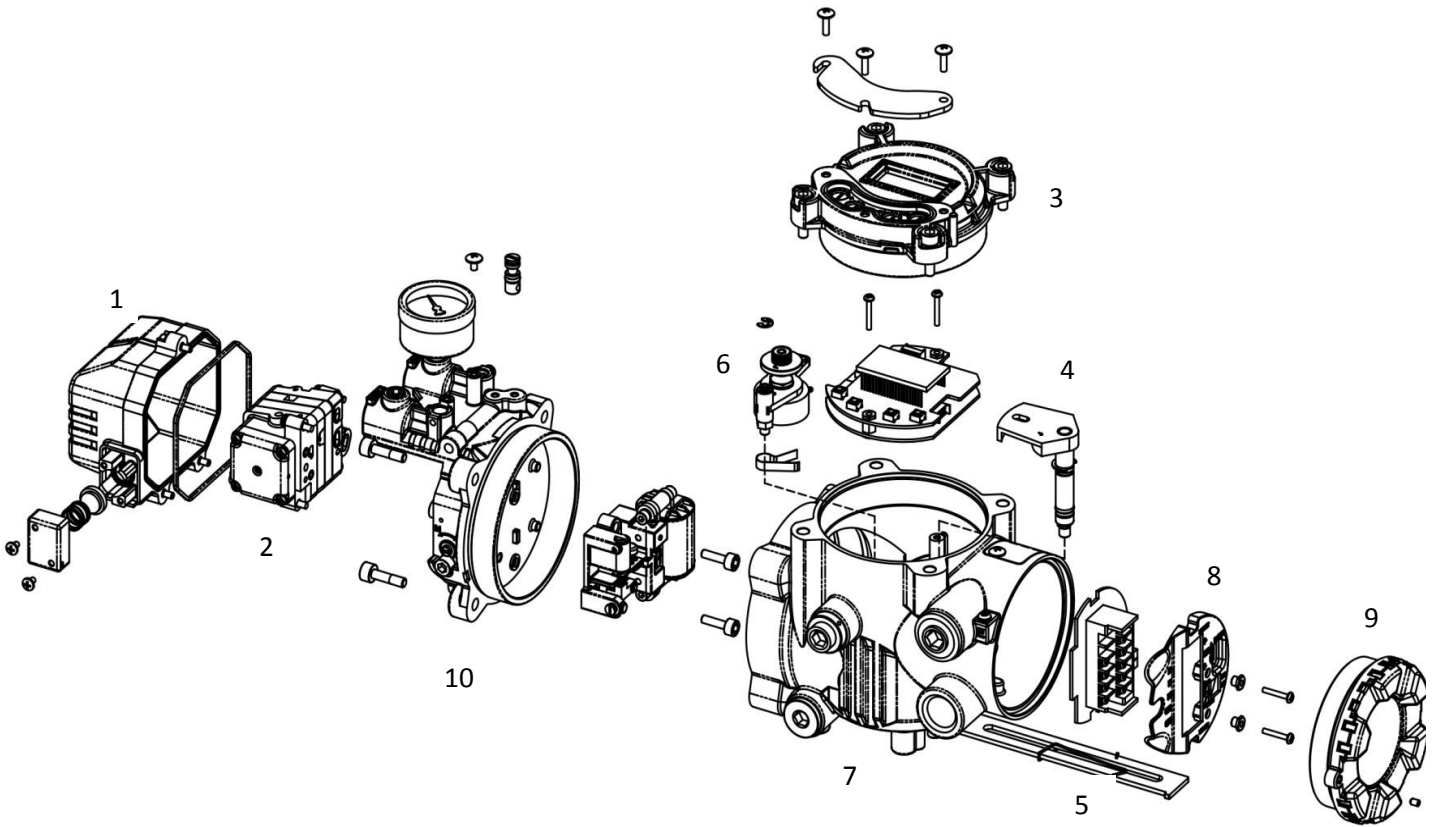
1	Motion Type	L	Linear	
		R	Rotary	
2	Acting Type	S	Single Acting	
		D	Double Acting	
3	Explosion Proof	C	Ex d IIC T6	
4	Lever Type	L	1	10 ~ 40 mm
			2	20 ~ 70 mm
			3	50 ~ 100 mm
			4	100 ~ 150 mm
	R	1	M6 X 34L	
		2	M6 X 63L	
		3	M8 X 34L	
		4	M8 X 63L	
		5	NAMUR	
	5	Connection Type	1	PT 1/4
2			NPT 1/4	
6	Communication	0	None	
		2	HART Protocol	
7	Option	0	None	
		1	+ PTM	
		2	+ L/S	
		3	+ PTM & L/S	
8	Ambient Temp.	S	-30 ~ 85°C	
		L	-40 ~ 85°C	

*All CVS 3400 Smart positioners are ordered standard low temperature. (-40°C to 85°C)

Product Specifications:

Model		CVS-3400		CVS-3450	
Housing Material		Aluminum		Stainless steel 316	
Motion Type		Linear	Rotary	Linear	Rotary
Acting Type		Single / Double			
Input Signal		4~20mA DC			
Minimum Current Signal		3.2mA(Standard), 3.8mA(Hart Included)			
Supply Pressure		0.14 ~ 0.7 MPa (1.4 ~ 7 bar)			
Stroke		10~150 mm	0 ~ 90°	10~150 mm	0 ~ 90°
Impedance		Max. 450Ω @ 20mA DC			
Air Connection		PT(G or NPT) 1/4		NPT 1/4	
Gauge Connection		PT(or NPT) 1/8		NPT 1/8	
Conduit Entry		G(PF) 1/2 or NPT 1/2 or M20*1.5P		G(PF) 1/2	
Ingress Protection		IP66			
Explosion Proof		Contact CVS for applicable certifications			
Operating Temperature	Standard Type	-30°C ~ 85°C (-22°F ~ 185°F)			
	Low Temp. Type	-40°C ~ 85°C (-40°F ~ 185°F)			
LCD Operating Temperature		-30°C ~ 85°C (-22°F ~ 185°F)			
Ambient Temperature Of Explosion proof		Contact CVS for applicable certifications			
Linearity		±0.5% F.S.			
Hysteresis		±0.5% F.S.			
Sensitivity		±0.2% F.S			
Repeatability		±0.3% F.S.			
Flow Capacity		70 LPM (Sup.=0.14 MPa)			
Air Consumption		Below 2 LPM (Sup.=0.14 MPa @ idle)			
Output Characteristic		Linear, Quick Open, EQ%, User Set			
Vibration		No Resonance up to 100Hz @ 6G			
Humidity		5-95% RH @ 40°C			
Communication (Option)		HART Communication (Rev. 7)			
Feedback Signal (Option)		4~20mA (DC 9~28V)			
Weight		3.4kg (7.5 lb)		7.0 kg (15.4 lb)	
Painting		Epoxy Polyester Powder Coating		-	

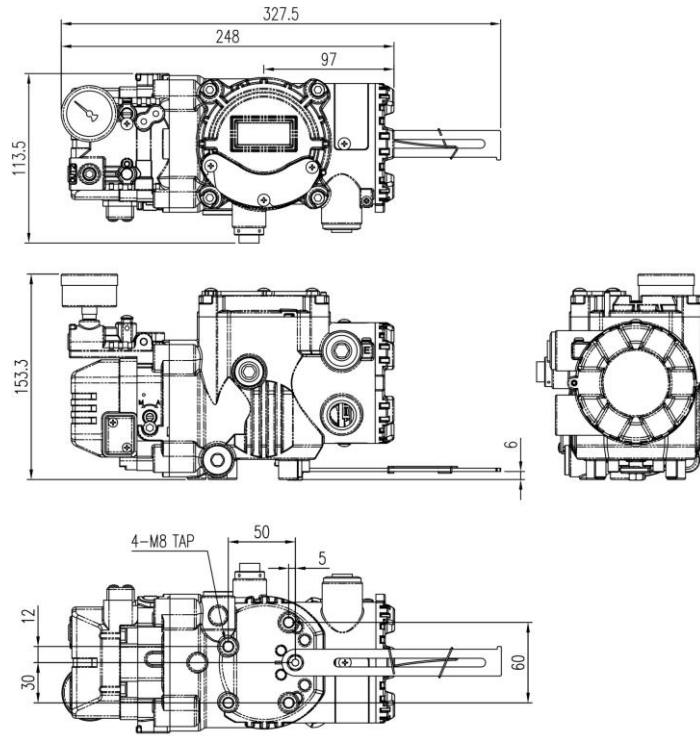
CVS 3400 Assembly



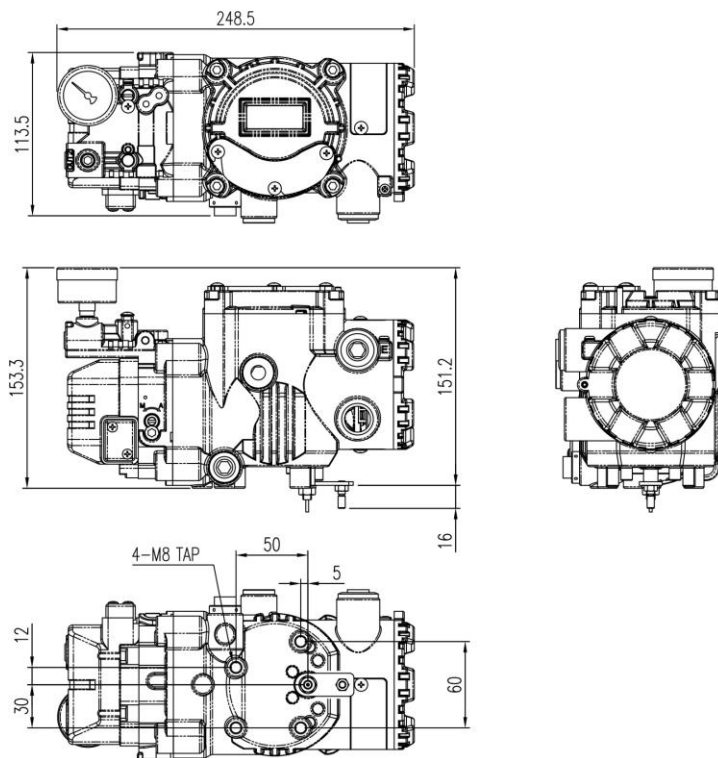
CVS 3400 Assembly	
1	Pilot Cover
2	Pilot Unit
3	Main Cover
4	Main PCB
5	Feedback Lever
6	Potentiometer
7	Main Body
8	Terminal PCB
9	Terminal Cover
10	Manifold

CVS 3400 Dimensions (mm)

Linear:



Rotary:



Installation - Linear

Note: Prior to installing positioner, ensure all safety precautions have been taken.

- **All input or supply pressure to valve, actuator and or other related devices must be shut off**
- **Use proper lock out procedures**
- **A bypass valve or other supportive equipment may be used to avoid entire system “shut down”**
- **Ensure any remaining actuator pressure has been fully relieved**

CVS 3400 Linear Installation

The CVS 3400 Linear Smart Positioner should be installed on linear motion valves such as a globe or gate style valve which uses linear motion spring type or piston actuators. Prior to installation, have the following items available:

- CVS 3400 Positioner
- Feedback Lever and Lever Spring
- Flange Nut (bottom side of CVS3400L)
- Qty. 4, Hex Head Bolts (M8x1.25P)
- Qty. 4, M8 Flat Washers
- Mounting Kit
- Bracket



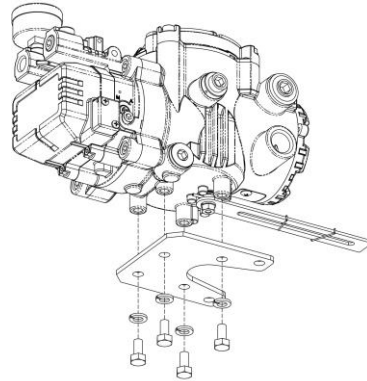
*A proper mounting bracket must be used in order to adapt the CVS 3400 positioner to the actuator yoke. Contact a CVS Controls representative should a bracket be required for a CVS Controls Actuator.

If having a bracket made to best suit the application, consider the following:

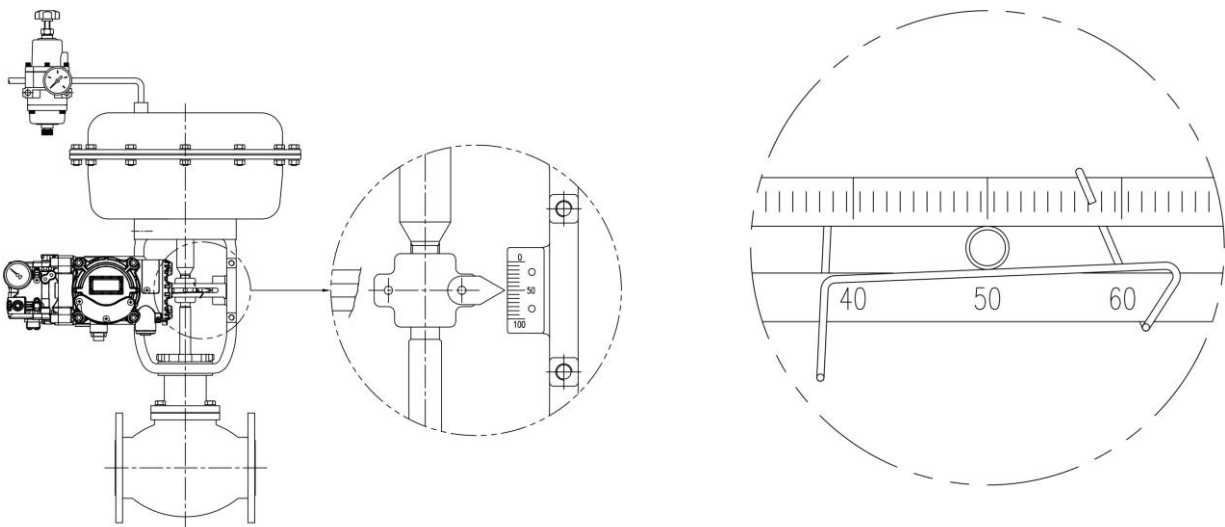
- The positioner feedback lever must be parallel to the ground at 50% of the valve stroke
- The feedback lever connection with the pin of the actuator clamp should be installed in such a way that the valve stroke length coincides with the corresponding figure in “mm” marked on the feedback lever. Improper setting may cause poor linearity, and may create unnecessary hunting during the operation.

Installation, continued - Linear

1. Assemble the mounting bracket to the backside of the positioner using 4, M8 X 1.25 bolts and lock washers.



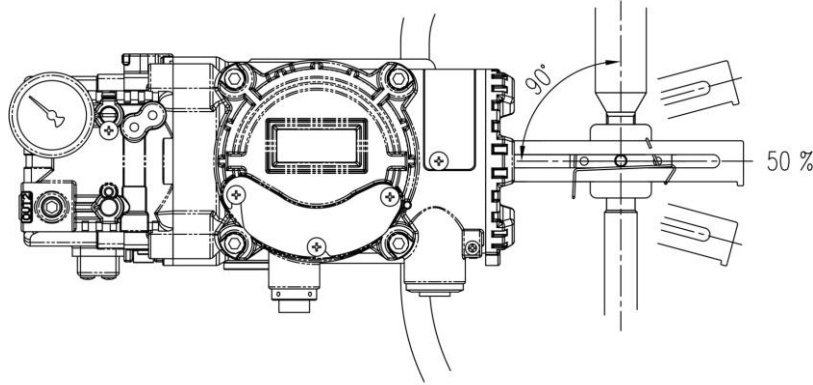
2. Attach the positioner and mounting bracket to the actuator yoke – DO NOT FULLY TIGHTEN FASTENERS COMPLETELY
3. Connect the positioner feedback lever to the actuator clamp. The gap on the feedback lever is 6.5mm. The connection pins outer diameter should be less than 6.3 mm.
4. Temporarily connect supply pressure to the actuator. Supply enough pressure to to the actuator in order to position the actuator clamp at 50% of the total valve stroke.
5. Insert a connection pin into the feedback lever. The pin should be inserted when the actuator clamp is at 50% of the total valve stroke.



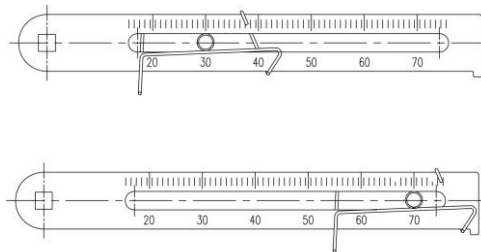
Feedback lever, connection pin, and spring connections detail

Installation, continued – Linear

6. Ensure feedback lever is parallel to the ground at 50% of the valve stroke. Make adjustments to the bracket or feedback link bar as required. Improper installation may cause poor linearity and may create unnecessary hunting during the operation.

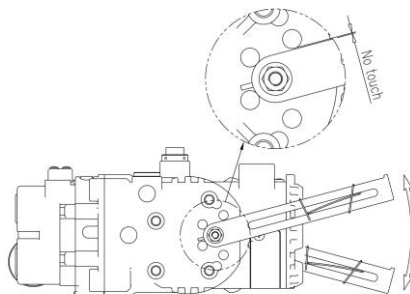


7. Check the valve stroke. The stroke marks are indicated on the feedback lever of the CVS 3400 positioner. Position the connection pin at the number on the feedback lever which corresponds to the desired valve stroke. Adjustments may be made by moving the bracket, the connection pin, or both.



Pin insertion when valve stroke is 30mm (up) and 70mm (bottom)

8. After installing the positioner, operate the valve from 0% to 100% stroke by using direct air to the actuator (manual position). At both 0% and 100% the feedback lever should not touch the lever stopper, which is located on the back of the positioner. Should the feedback lever touch the stopper, adjustments may be required to install the positioner further away from the actuator yoke.



Installation, continued – Linear

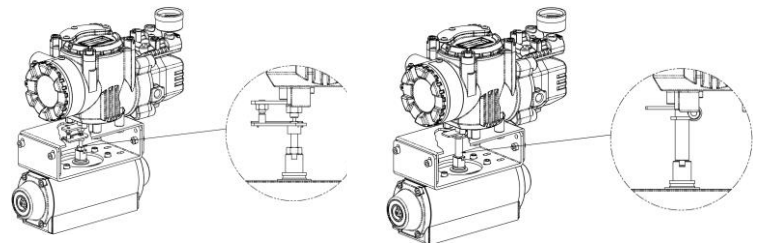
- After installation and adjustment have been made, complete by tightening the bolts on the bracket, feedback lever, and the connection pin.

Installation – Rotary

CVS 3400 Rotary Installation

The CVS 3400 Rotary Smart Positioner should be installed on rotary motion valves, such as ball or butterfly type valves which use a rack and pinion, scotch yoke, or other type of actuator which uses 90 degree rotation. Prior to installation have the following items available:

- CVS 3400 Positioner
- Fork Lever and Lever Spring
- Standard rotary bracket (supplied)
- Qty. 4, Hex Head Bolts (M8x1.25P)
- Qty. 4, M8 Flat Washers



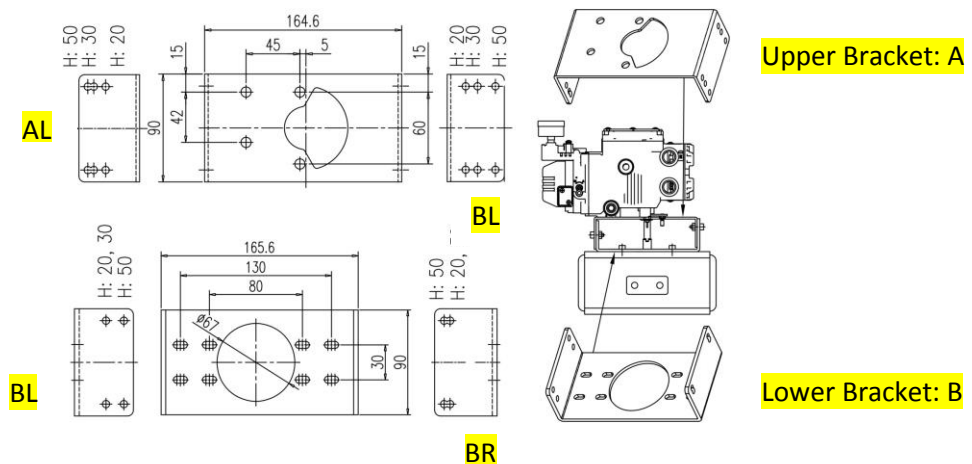
Fork Lever Type

NAMUR Mount

Bracket Information:

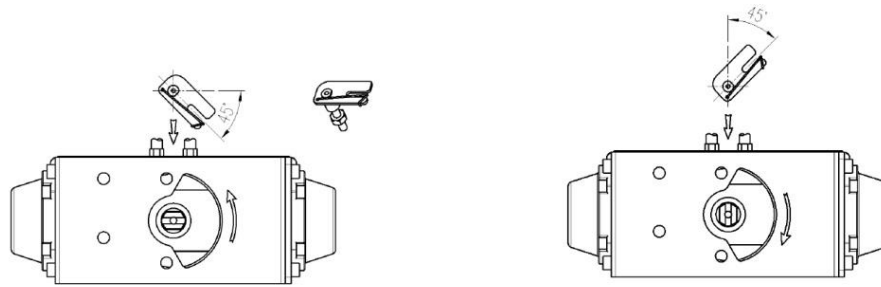
The supplied standard bracket contains two components. The bracket may be used for both fork lever type and NAMUR lever type configurations. The bracket is designed to fit on the actuator with a 20mm stem height (H). Should the stem height be 30mm or 50mm, the bracket must be adjusted as required.

Actuator Stem Height (H)	Bolt Hole Markings			
	A-L	B-L	A-R	B-R
20mm	H: 20	H: 20, 30	H: 20	H: 20, 30
30mm	H: 30	H: 20, 30	H: 30	H: 20, 30
50mm	H: 50	H: 50	H: 50	H: 50



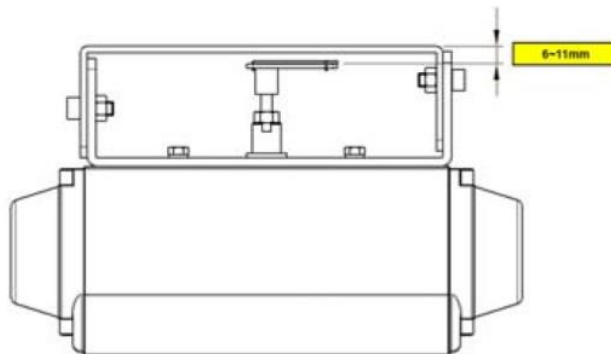
Installation, continued – Rotary

1. Check actuator stem height and adjust as required.
2. Attach the bracket to the actuator. Use lock washers to prevent the bolts from loosening from vibrations.
3. Set the rotation position of the actuator stem to 0%. For single acting actuators, with no supply pressure to the actuator, the stem will be at 0%. For double acting actuators, check the actuator stem rotation direction – clockwise or counter clockwise – by supplying pressure to the actuator.
4. Install the fork lever after setting the actuators stem at 0%. Check the actuator stem rotation direction, clockwise or counter clockwise. Install the fork lever at 45 degrees in relation to the linear shaft. For NAMUR mount installation, this angle does not apply.



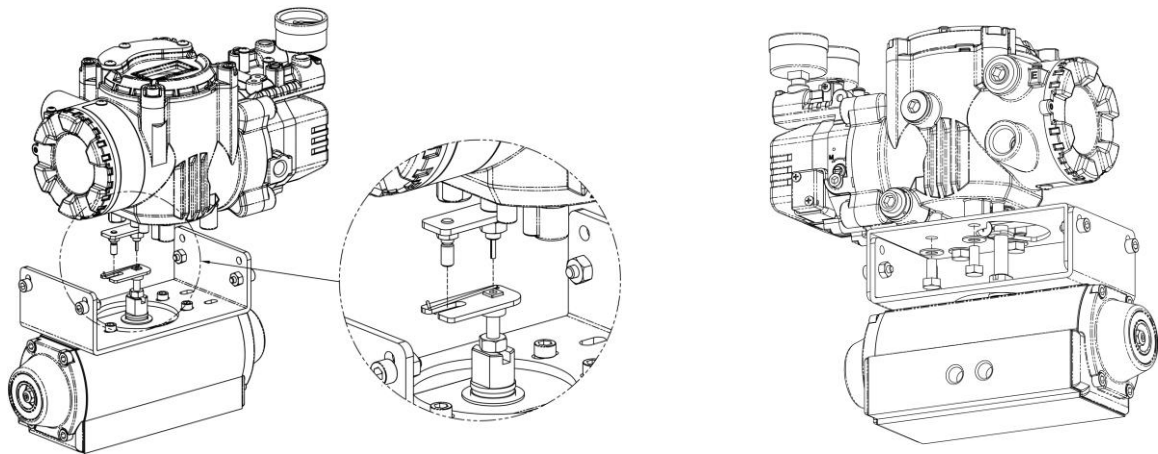
Counter Clockwise and Clockwise rotation

5. After setting the fork lever position, assemble the lock nuts which are located on the bottom of the fork lever. Ensure the set height of the upper fork lever is between 6mm to 11mm from the top of the mounting bracket.



Installation, continued – Rotary

6. Attach the positioner to the bracket. Fix the clamping pin on the main shaft center of the positioner, and insert the connection pin into the fork lever slot. This will lock the fork lever spring. Ensure proper alignment of the positioners main shaft centered to the actuator stem. Poor alignment may decrease the positioners durability due to unnecessary forces on the main shaft.



7. Tighten the positioner and the bracket using the hex head bolts and plate washers, after checking for proper alignment and position of the CVS 3400 positioner.



Connections

Supply:

Supply pressure should be clean, dry air. Avoid moisture, oil and dust. It is recommended that a filter regulator be used as part of a complete installation to ensure proper operation and durability.

Supply Pressure Conditions:

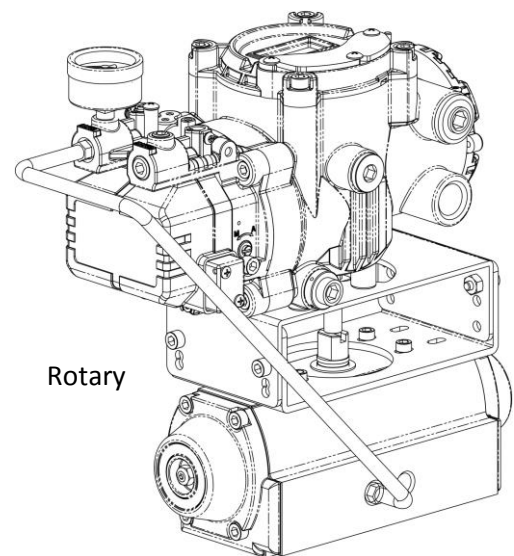
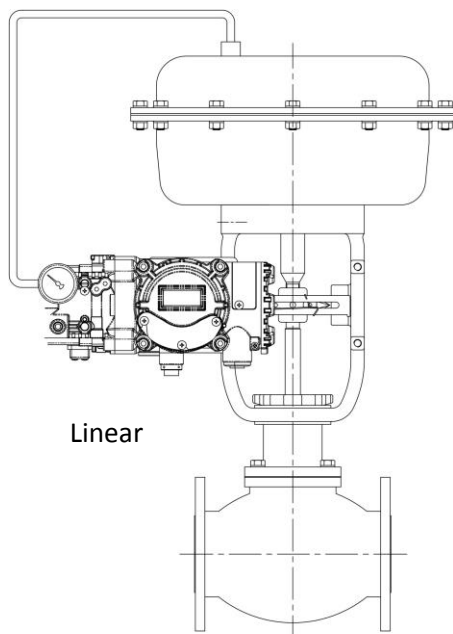
- Dry air of at least 10°C lower than ambient temperature.
- The CVS 3400 internal filter is capable of 5 micron or larger, always use a filter regulator to ensure clean air is being supplied to the positioner.
- Avoid oil.
- Supply pressure range is 20psig – 100psig.
- Set air filter regulator pressure level 10% higher than actuators spring range pressure.
- Comply with ANSI/ISA-57.3 1975(R1981) or ISA S7.3-1975(R1981)

Piping Conditions:

- Ensure all piping is clean and free of obstructions.
- Do not use piping that is squeezed or restricted, or shows any type of damage.
- Minimum piping inside diameter should be at least 6mm (.25”) to maintain proper flow rate.
- Avoid excessively long runs of piping. Flow rates may be affected due to friction inside the piping.

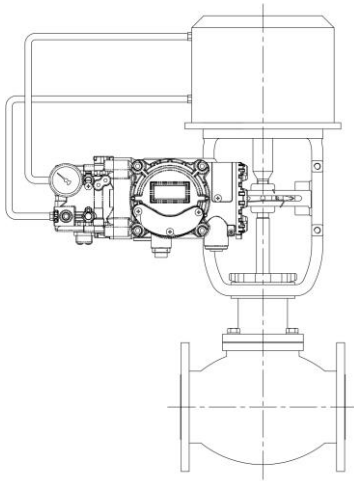
Connection: Single Acting Actuator,

Single acting type positioner is set to the **OUT1** port. Supply pressure port from the actuator should be connected to the **OUT1** port when using single acting type, spring return actuation.

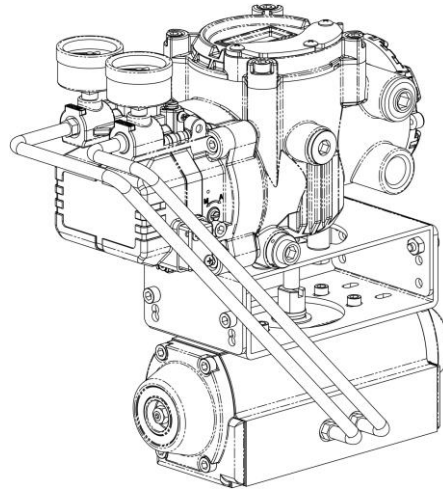


Connection: Double Acting Actuator,

Double acting type positioner is set to use the **OUT1** and **OUT2** ports. As the input signal increases the supply pressure will be supplied through the **OUT1** port.



Double Acting Linear

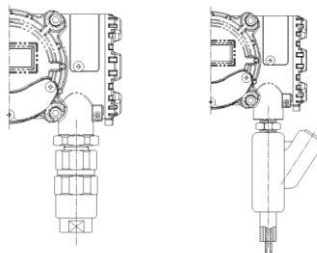


Double Acting Rotary

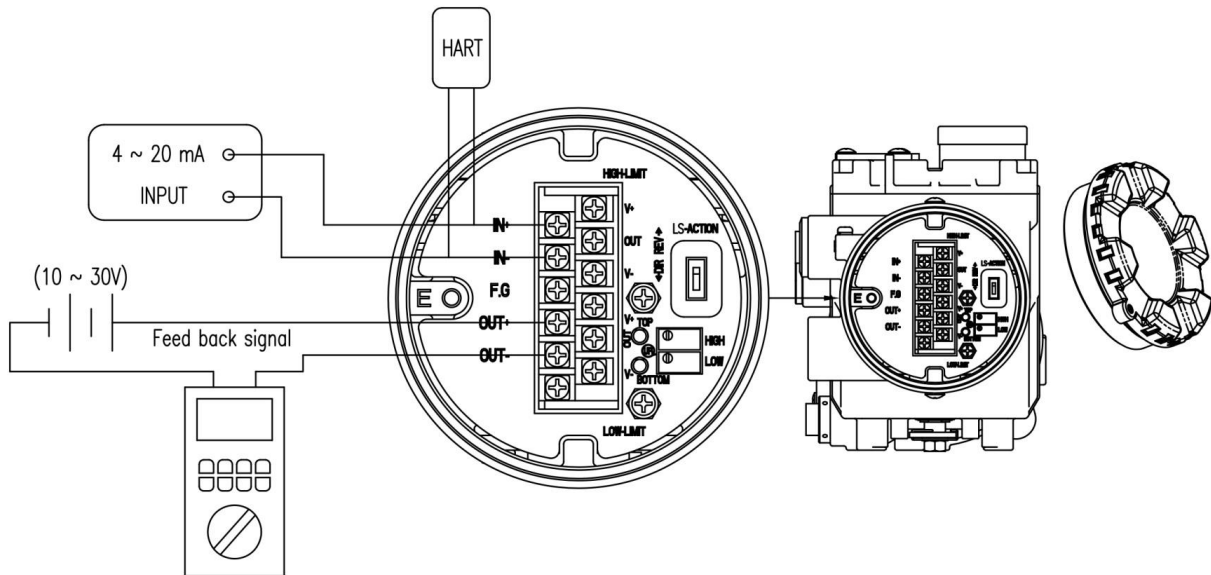
Power Connections:

Ensure safety codes applicable to the location are adhered to as required.

- When installing in hazardous locations, proper conduit tubing or pressure proof packing union must be used. The compound charging box should be flameproof type and completely sealed.
- Standard conduit entry tap is PF (G) 1/2"
- Before connection the terminal, ensure proper safety precautions have been taken, and all power is completely shut off. **Do not open the cover while power to the positioner is live.**
- Positioners with PTM option must be supplied with 10~28V DC separately. For L/S option, separate 12-24V DC must be supplied. Do not exceed 30V DC if both options are being utilized.
- Ensure proper grounding of the positioner.
- Ensure proper wiring is utilized in accordance to local codes and installation application. It is recommended that shielded wiring be used to protect from electro-magnetic field and noise. Do not install the cable near high noise environments, such as high capacity transformer or motor.



Terminal Overview and Connections



Positioner Terminal:

IN + : Input Signal (positive)

IN - : Input Signal (negative)

OUT + : Feedback Signal (positive)

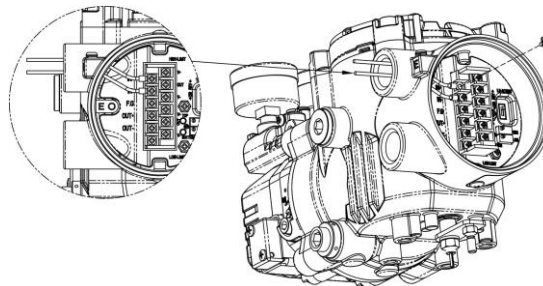
OUT - : Feedback Signal (negative)

Top Right 3 Terminals : Limit Switch 0%

Bottom Right 3 Terminals : Limit Switch 100%

Input Signal Terminal:

1. Open terminal cover by removing set screw using a 3mm hex key
2. There are two conduit entries on the bottom side of the positioner to allow for cable entry best suited to the application.

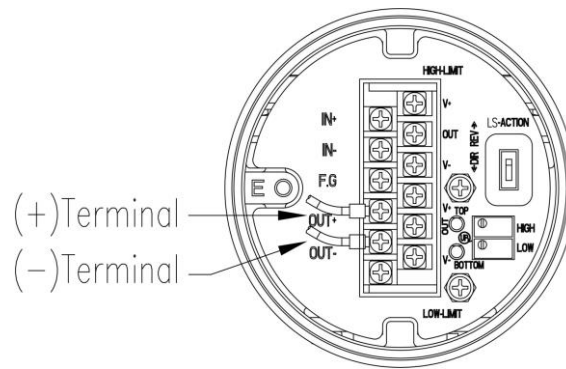


3. Locate the correct terminal for the input signal on the bottom of the positioner. Insert the terminal wiring through the conduit entry and properly secure them to the IN+ (positive) and IN- (negative) terminals on the plate. Tighten fasteners to 1.5Nm (13 in lbs).
4. Close the terminal cover, and tighten the set screw stopper.

Terminal Overview and Connections, continued

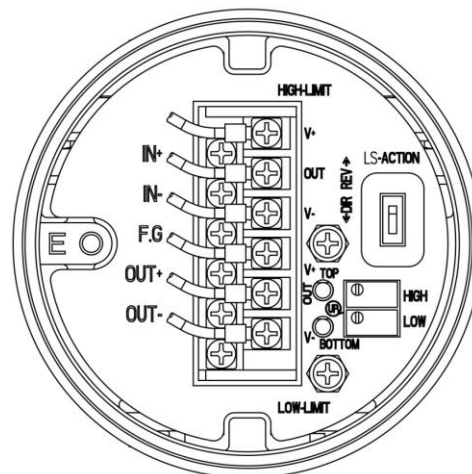
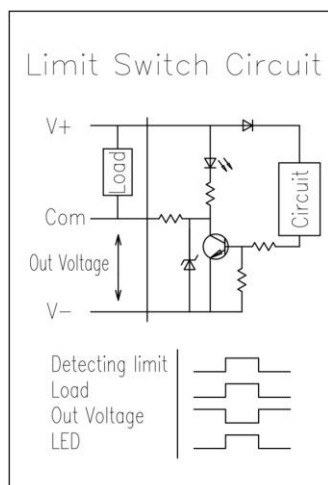
Feedback Signal Terminal:

1. Open terminal cover by removing set screw using a 3mm hex key
2. There are two conduit entries on the bottom side of the positioner to allow for cable entry best suited to the application.
3. Locate the correct terminal for the input signal on the bottom of the positioner. Insert the terminal wiring through the conduit entry and properly secure them to the OUT+ (positive) and OUT- (negative) terminals on the plate. Tighten fasteners to 1.5Nm (13 in lbs).
4. Close the terminal cover, and tighten the set screw stopper.



Limit Switch Terminals:

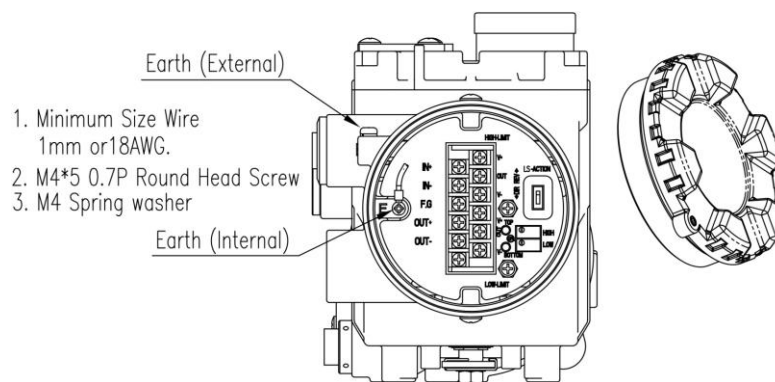
1. With the cover off, locate the limit switch terminals.
2. Connect to the proper terminals accordingly, paying attention to both correct polarity as well as top three right for Limit Switch 0% , and bottom three right for Limit Switch 100%.
3. Make connections and fasten terminal screws to 1.5 Nm (13 in lbs)
4. Close terminal cover and tighten the set screw stopper.



Terminal Overview and Connections, continued

Ground:

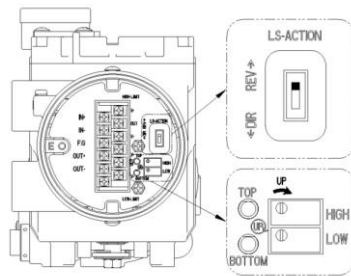
1. Prior to operating the positioner, please ensure that it has been properly grounded.
2. Open terminal cover and locate the ground terminal. Resistance should be less than 100ohm.
3. When using the external ground, use a Phillips head screwdriver to remove the ground screw. Insert the outside ground bolts and spring washer into the ring type terminal of the ground cable and tighten accordingly.
4. When using the internal ground, remove the terminal cover, locate the grounding screw marked E, and make connections as required.



Adjustments

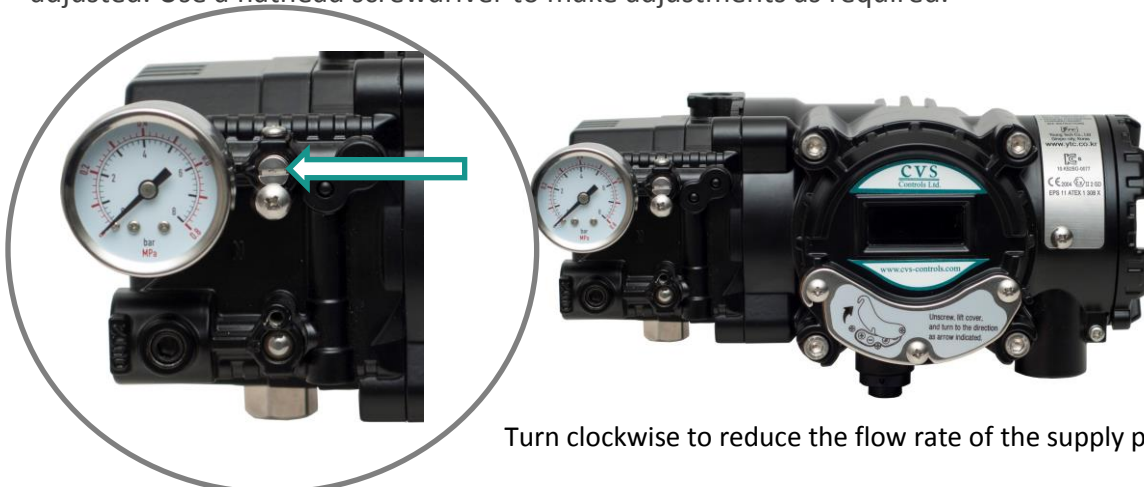
Limit Switch Adjustments:

1. HIGH variable resistor adjusts the sensing point of the valve end point. For Direct Acting, it will sense 4mA point, and for Reverse Acting, 20mA of the input signal will be the sensing point. Red LED will be lit upon sensing.
2. LOW variable resistor adjusts the sensing point of the valves zero point. For Direct Acting, it will send 20mA point, and for Reverse Acting, 4mA of the input signal will be the sensing point. Red LED will be lit upon sensing.
3. If V+ and COM terminals are connected, electric current may be used on limit switch for an alarm or light indicator as required.
4. If V- and COM terminals are connected, electric voltage may be used on limit switch to receive a signal from a computer.
5. LS-ACTION, switch to change between Direct (DR), Reverse (REV) action.
6. By adjusting the variable resistor, the limit switch operating range may be set. Turn Clockwise to widen the range, and Counter Clockwise to shorten the range. As the range adjusts, the red LED will light to indicate the completion of adjustments.



Variable Orifice Adjustments

Hunting may occur when the actuator volume is too small. In order to prevent hunting, orifice adjustments may be made. By adjusting the orifice, the flow rate of the supply pressure may be adjusted. Use a flathead screwdriver to make adjustments as required.



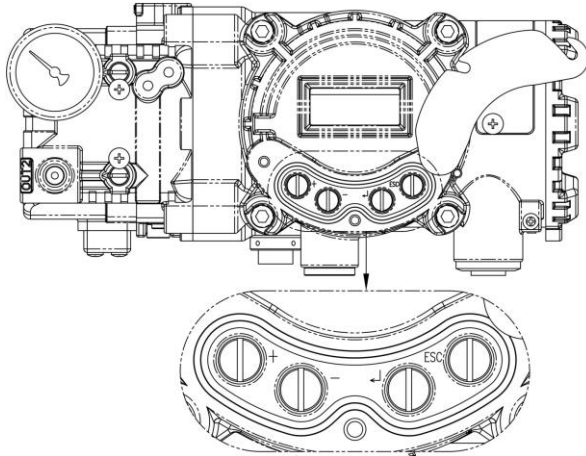
Turn clockwise to reduce the flow rate of the supply pressure.

Operation

The following process will operate the valve and actuator. Prior to proceeding with any AUTO Calibration please isolate the valve and actuator from the system.

Button Description:

Behind the access panel on the front of the positioner, there are 4 buttons. Simply back off the three Phillips head screws slightly and rotate the cover upwards to gain access.



From Left to Right:

+ : UP

- : DOWN

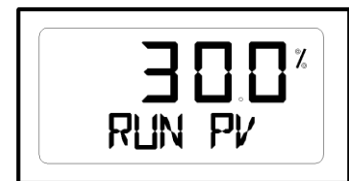
↩ : ENTER

ESC : ESCAPE

Run Mode (RUN):

Once power is turned on to the positioner, RUN mode will be displayed within 6 seconds on the LCD screen. RUN indicated the positioner will adjust the valve stroke according to the input signal. There are 6 modes within RUN cycle.

1. RUN PV : Process Value – valve stroke %
2. RUN SV % : Set Value – input signal 0-100%
3. RUN SV mA : Set Value – input signal 4~20mA
4. RUN MV : Manipulate Valve – Motor Manipulate Value (digit)
5. RUN Vel : Velocity – Current valve stem velocity (digit)
6. RUN Err : Error – Difference between SV and PV (%)



To cycle display modes, press "ESC" and "+" at the same time. This will cycle display modes in the order indicated above. Alternatively pressing "ESC" and "-" will cycle through the above modes in descending order.

Pressing "ESC" at any point will return the CVS 3400 positioner to RUN mode.

Operation, continued

Auto Calibration:

The Auto Calibration mode (AUTO CAL) will automatically calibrate the positioner. The AUTO CAL process will take 2-3 minutes, depending on the application.

There are three modes of AUTO CAL:

***It is recommended that AUTO2 calibration be performed for initial settings.**

Mode	Zero Point	End Point	KP, KI, KD	RA, DA
AUTO 1	Yes	Yes	No	No
AUTO 2	Yes	Yes	Yes	Yes
AUTO 3	No	No	Yes	Yes

AUTO1 Calibration Mode:

AUTO1 mode will change zero, and end points. However KP, KI, and KD will not be adjusted. Should the field user wish to re-calibrate the positioner from the initial settings from the valve manufacturer, it is recommended that AUTO1 be used.



AUTO2 Calibration Mode:

AUTO2 mode will calibrate all parameters. It is recommended to use AUTO2 mode after initial installation of the CVS3400 positioner.



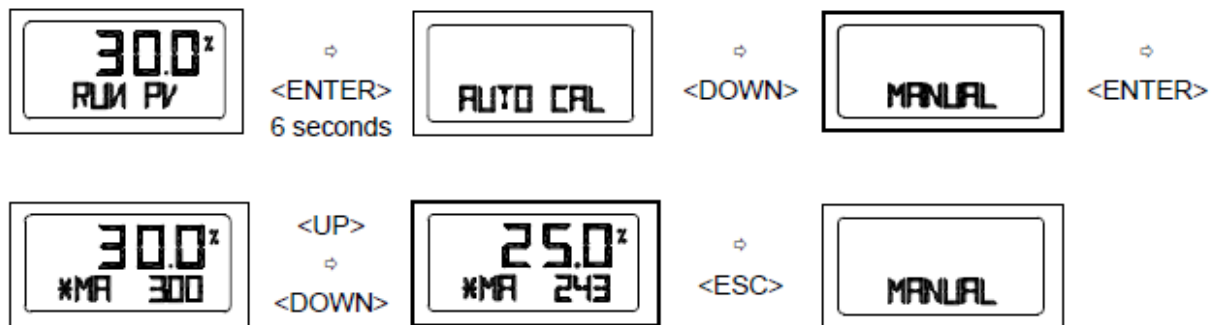
AUTO3 Calibration Mode:

AUTO3 will only change the valve parameters. Zero and End Point adjustments will not be made.



MANUAL Mode:

MANUAL mode is used to adjust the valves stems movement manually. In MANUAL mode the positioner will bypass the supply pressure to the actuator. The valve stems movement in this mode will not affect the positioners save data values.



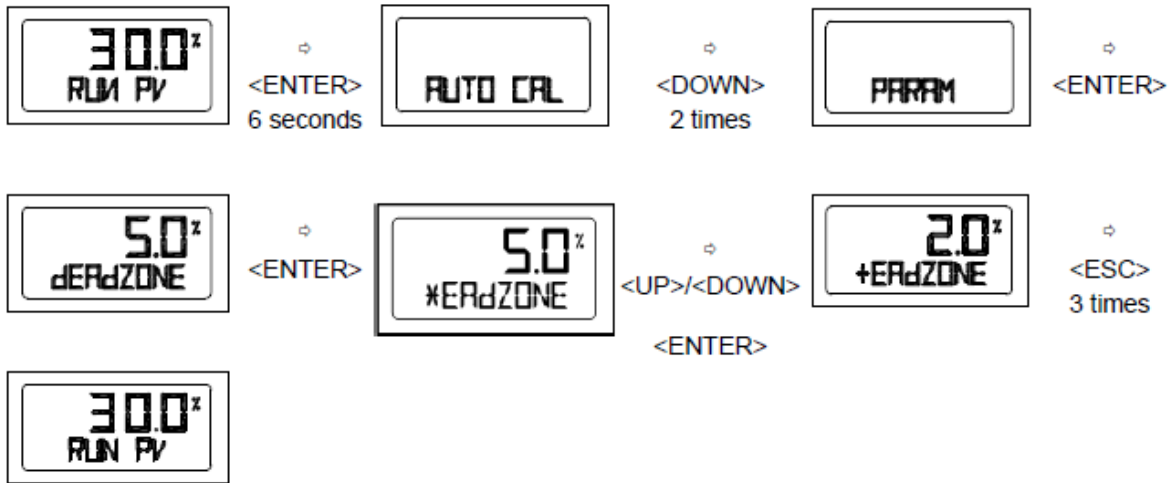
PARAM – Parameter Mode:

While AUTOCAL optimizes the actuator values, in some applications where hunting or oscillation occurs it may be necessary to make additional adjustments in PARAM mode. **Once the parameter values have been adjusted, the new values are saved as soon as they are adjusted. There is no need to return to RUN mode after changes are made to observe the changes.**

Operation, continued

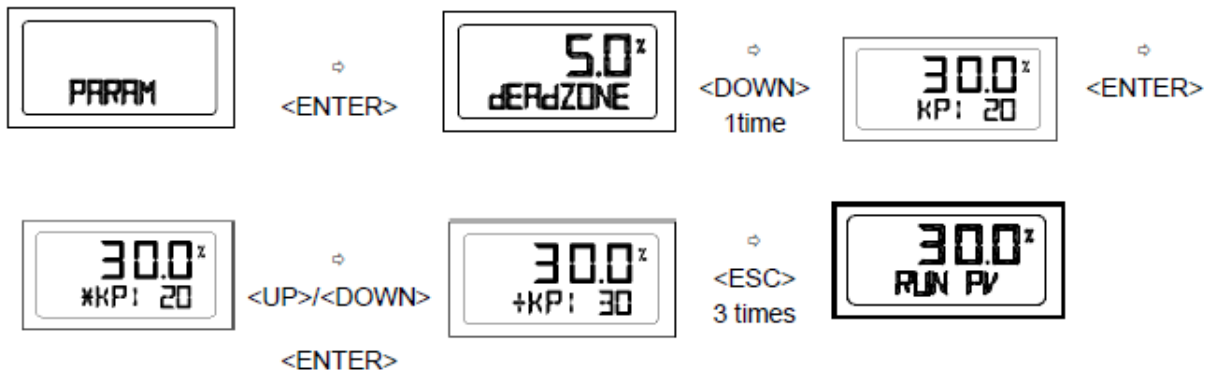
dEAdZONE – Deadzone mode:

dEAdZONE mode indicates the percentage of error allowance. In cases of high level packing friction, which may cause hunting, creating Deadzone can stable the valves operation.



P1 Value – (KP1):

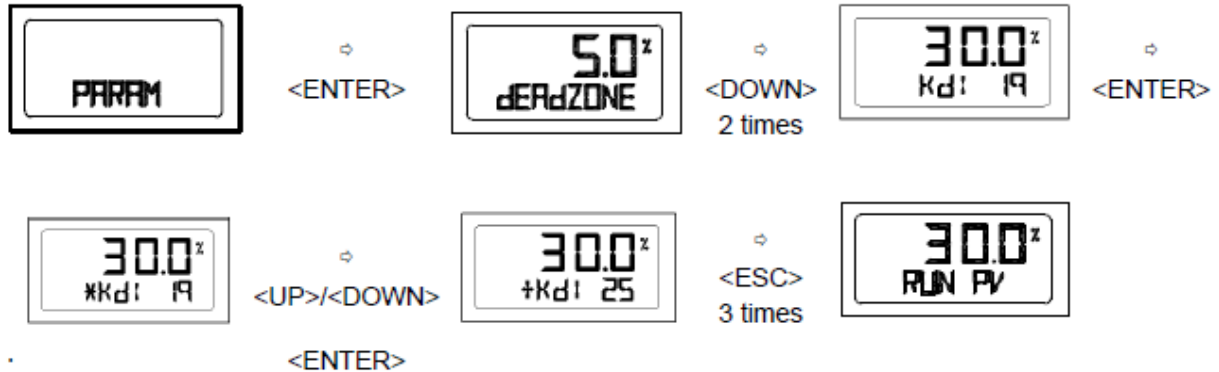
P Value indicates the ratio of the compensation signal, based on the percentage of error allowance. As the value increases, the positioner will find the target value quickly, however it is more likely to create a hunting effect.



Operation, continued

D1 Value – (Kd1):

D Value indicates the derivative value of the compensation signal, based on the percentage of error allowance. As the value increases, it is more likely to create a hunting effect. As the value decreases, it may create poor linearity.



P2 (KP2) and D2 (Kd2) Values:

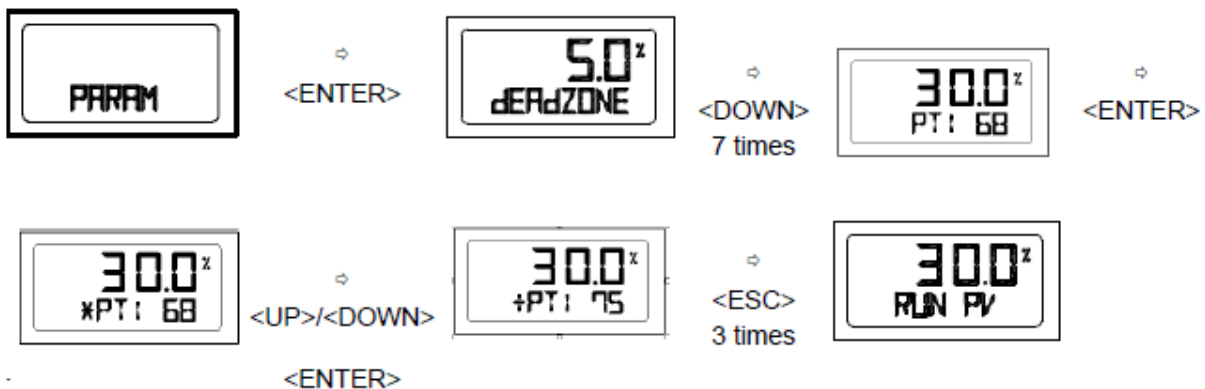
P2 and D2 value principles are the same as P1 and D1, however, these values are only applicable when the input signal is decreasing.

P_ (KP_) and D_ (Kd_) Values:

P_ and D_ value principles are the same as P and D, however these values are only applicable when the positioners actual stroke reaches the target stroke per input signal.

PT1 and PT2 Values:

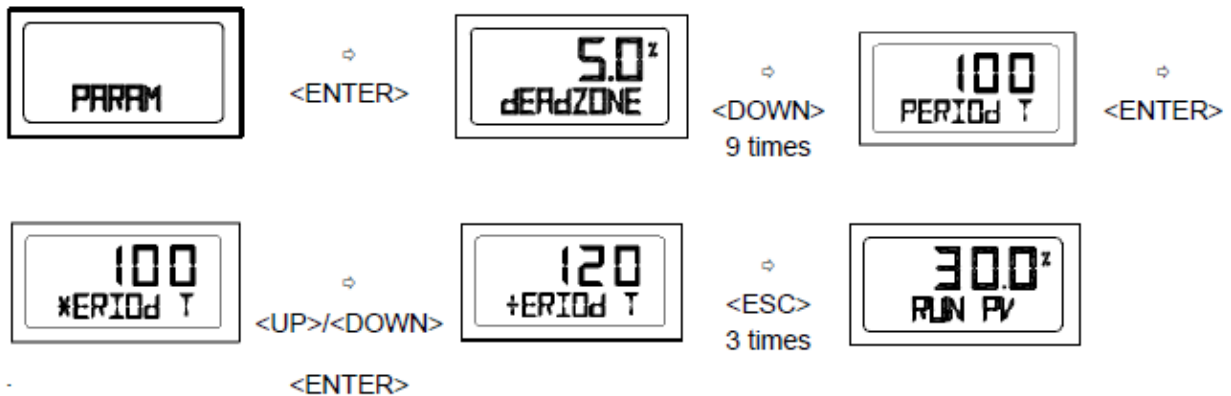
PT value indicates the minimum time duration of internal signal. PT1 is for an increased input signal, and PT2 is for decreased input signal PT Values.



Operation, Continued

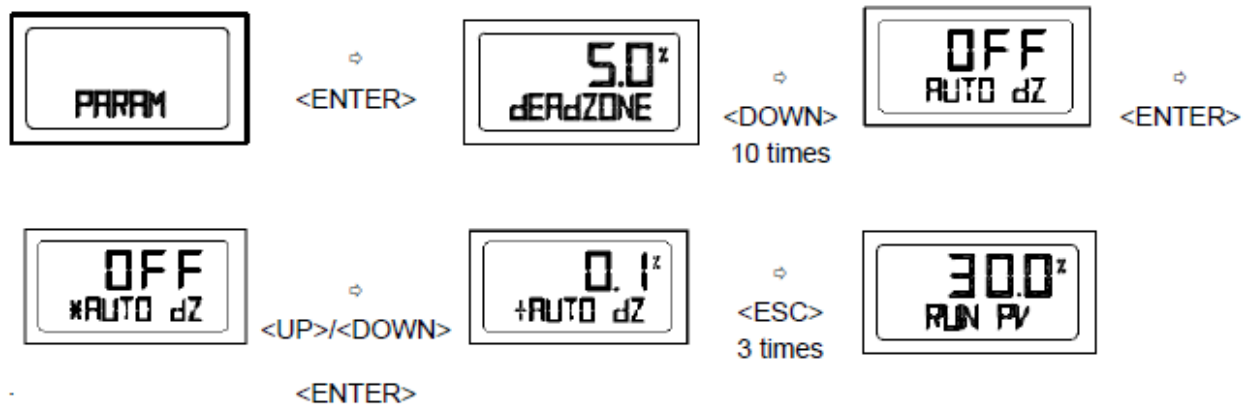
Period T:

Period T indicates the positioner's internal control time interval. By default the CVS 3400 will check the current position, relative to the current input signal every 100 msec.



Auto DZ (AUTO dZ):

After auto calibration, the positioner will automatically create deadzone. In some cases due to valve packing friction, it may be necessary to increase the deadzone settings to reduce hunting or oscillation.



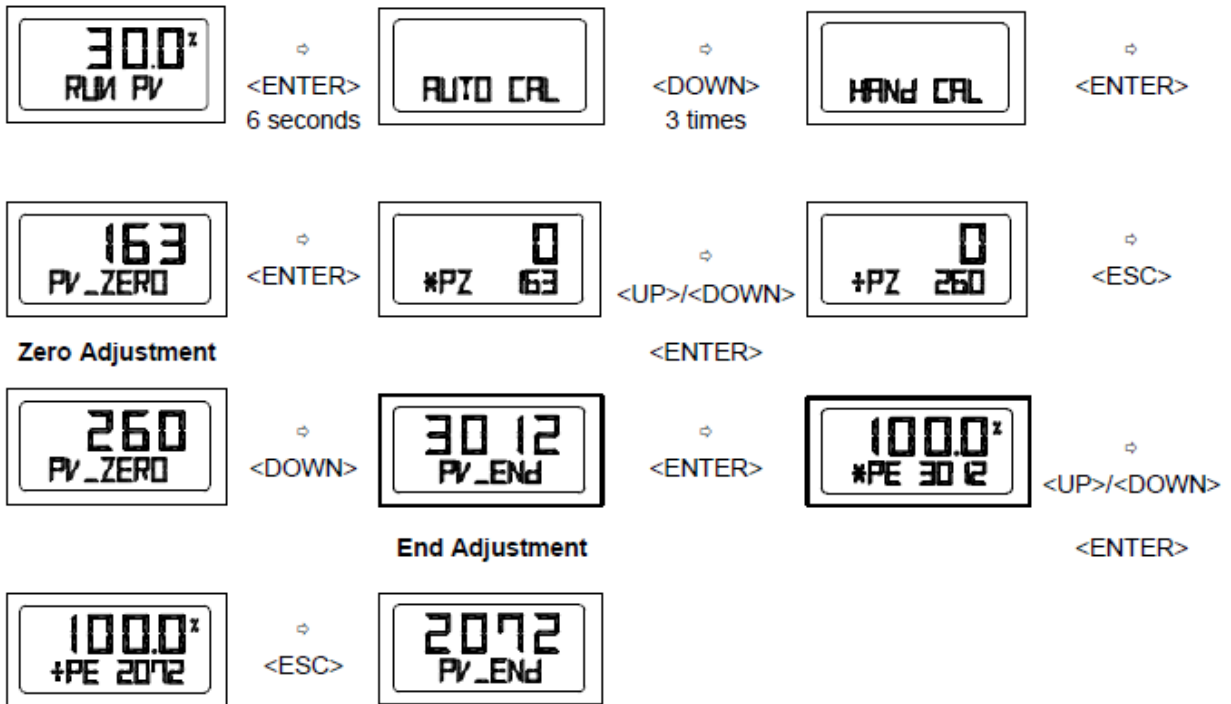
Operation, continued

***Hand Calibration Mode (HAND CAL):**

The CVS 3400 may be manually calibrated by selecting the Hand Calibration Mode.

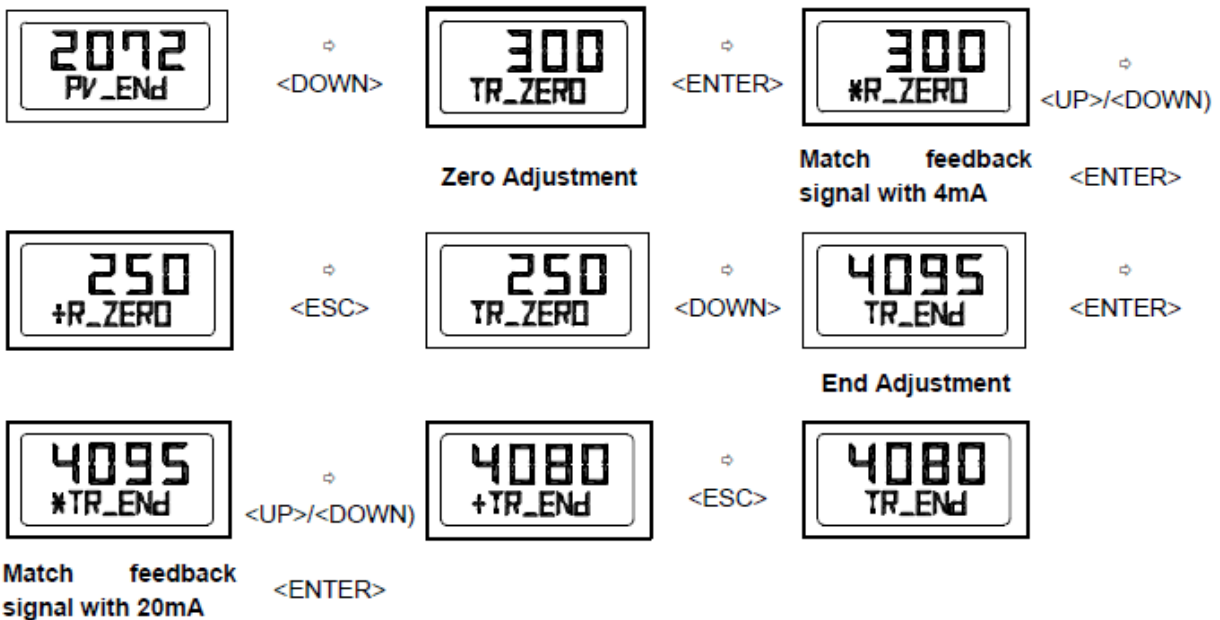
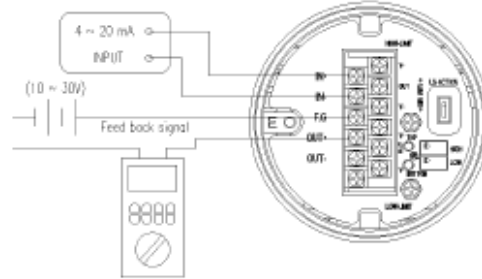
Zero Point (PV_ZERO) and End Point (PV_END) Values:

PV_ZERO adjusts the Zero Point of the valve, while PV_END will adjust the end point of the valve.



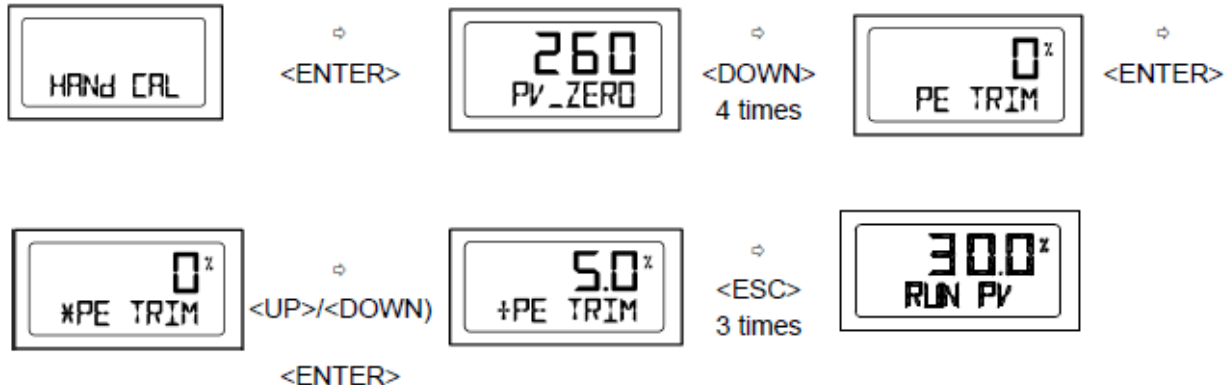
Zero Point (TR_ZERO) and End Point (TR_END) for transmitter:

TR_ZERO will adjust the zero point of the transmitter (4-20mA feedback), and TR_END will adjust the end point of the transmitter (4-20mA feedback).



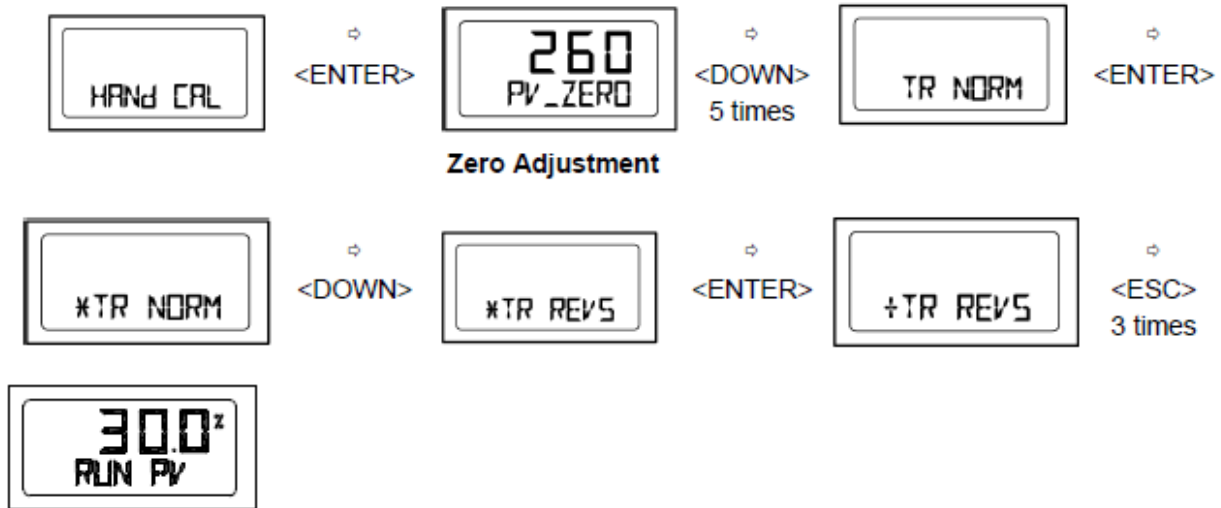
End Point Ratio for Valve (PE_TRIM):

When reverse acting operation is used, the End Point may be adjusted within 10% of the total valve stroke, without adjusting the valves zero point.



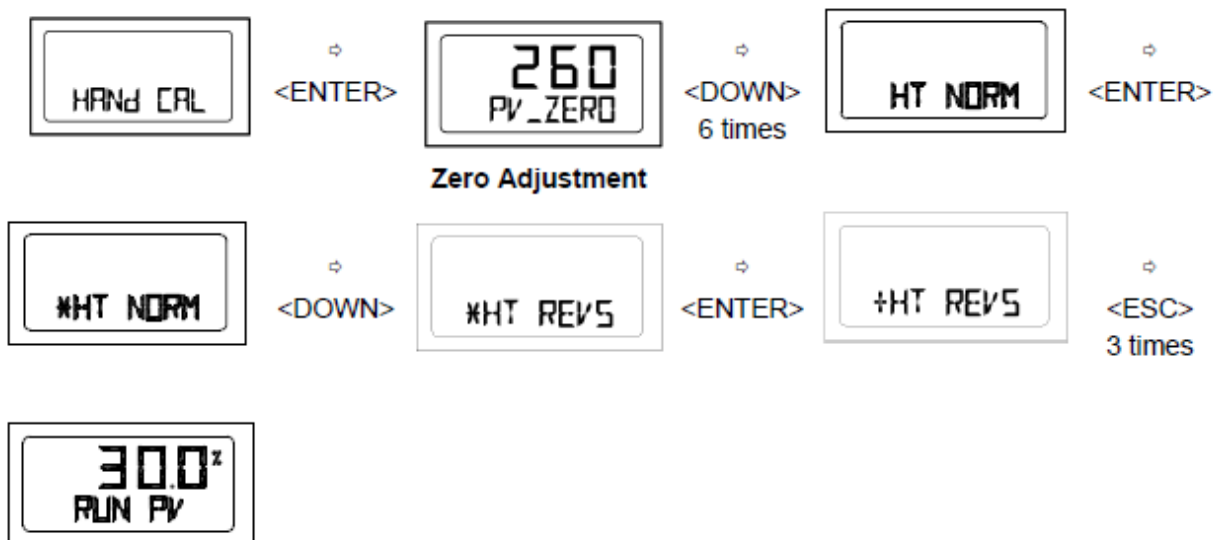
Normal / Reverse Feedback Signal (TR_NORM/REV):

The feedback signal from the positioner may be set as normal or reverse.



Normal/Reverse HART Signal (HT_NORM/REVS):

HART signal from the positioner can be set as normal or reverse.

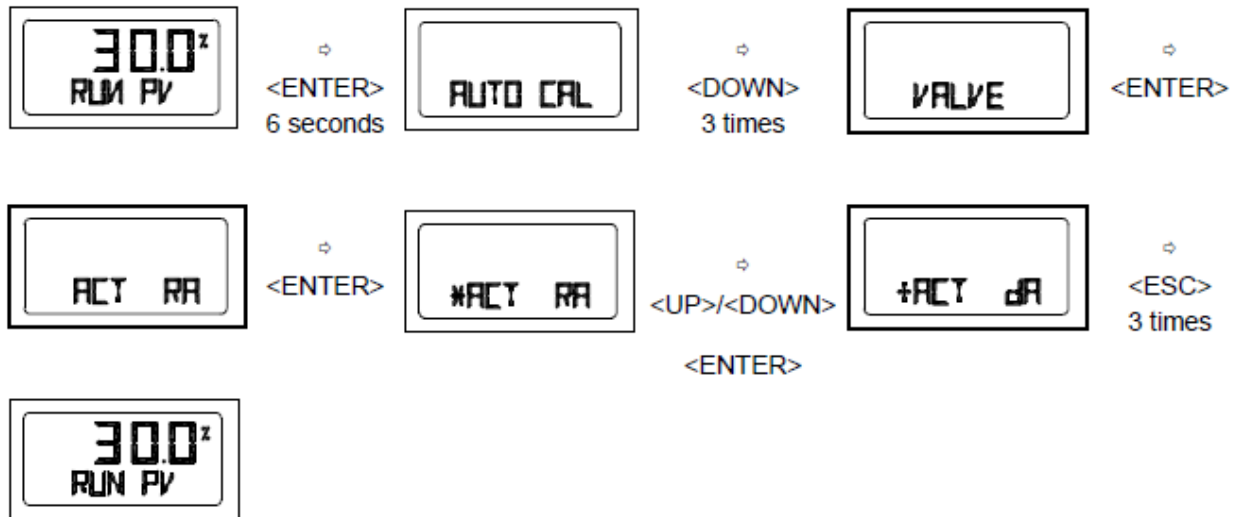


Operation, continued

*Valve Mode (VALVE)

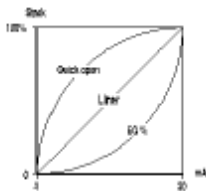
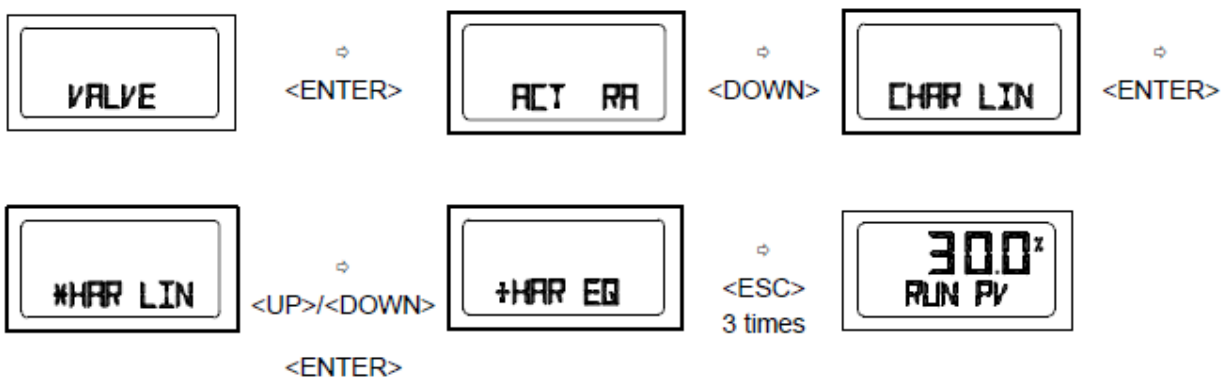
Acting Adjustments (ACT):

The positioner may be set as Direct Acting (DA), or Reverse Acting (RA).



Characteristic Adjustments (CHAR):

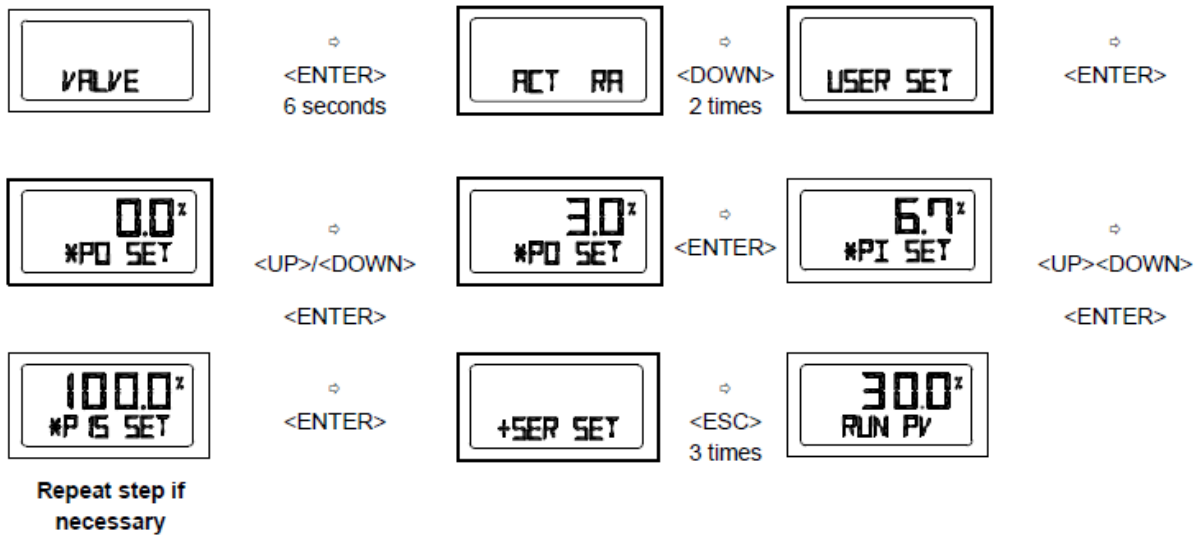
The valve characteristics may be set on the field requirements. There are 3 selectable valve characteristics – Linear (LIN), Equal Percentage (EQ), and Quick Opening (QO).



Operation, continued

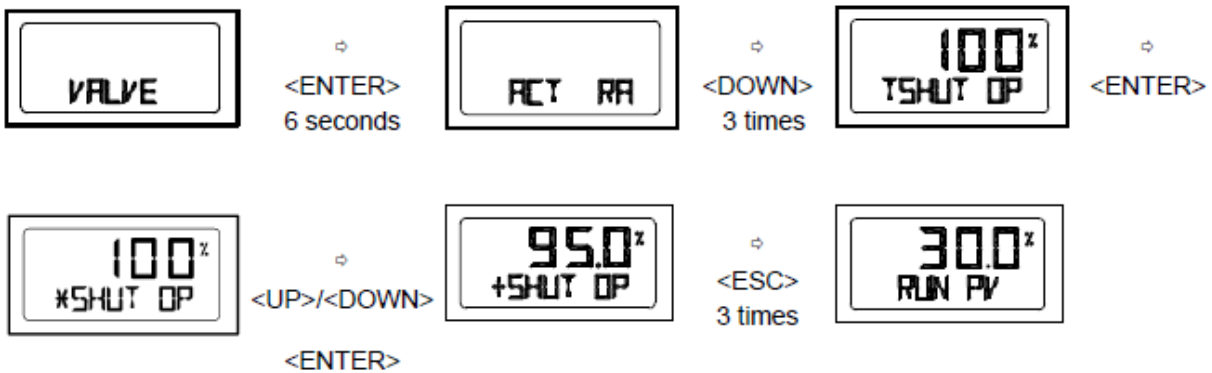
User Characteristics (USER SET):

Should the positioner require a specific characteristic, the valve characteristic curve can be made by selecting up to 16 points of the curve.



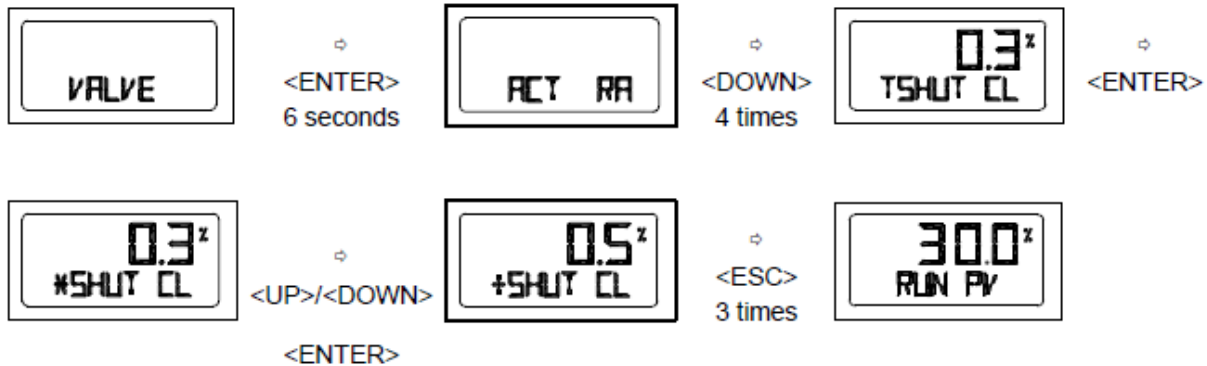
Tight Shut Open (TSHUT OP):

Tight Shut Open allows the valve to open completely as the input signal reaches 20mA.



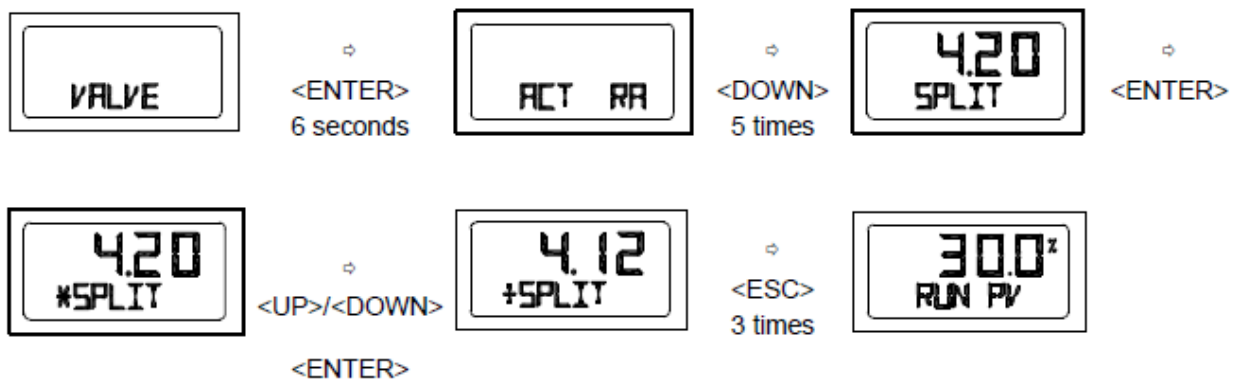
Tight Shut Close (TSHUT CL):

Tight Shut Close allows the valve to close completely as the input signal reaches 4mA.



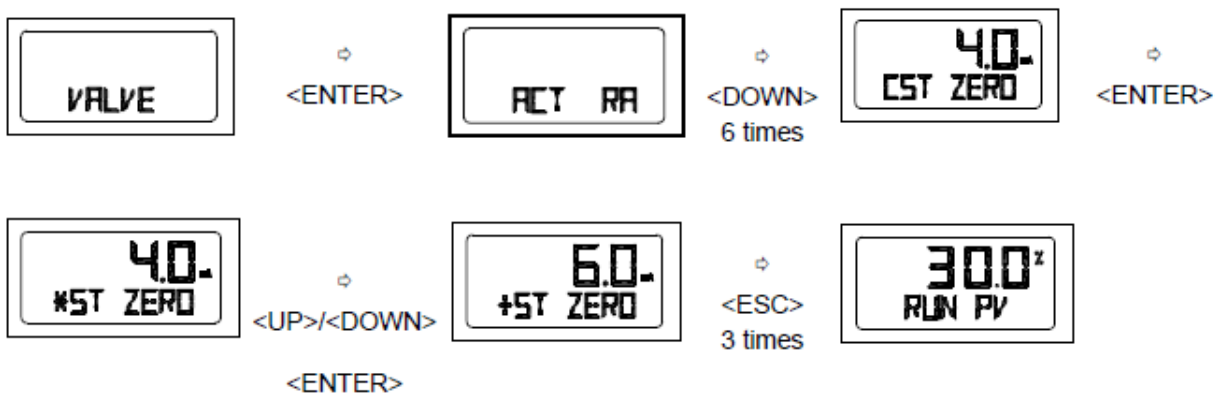
Split Range Mode (SPLIT):

The valve may be operated by split range control, 4-12mA, 12-20mA, or Custom



Custom Zero Setting Mode (CST ZERO):

Allows the user to set any specific point as a zero position. For example, the zero point may be set at an input signal of 7mA.

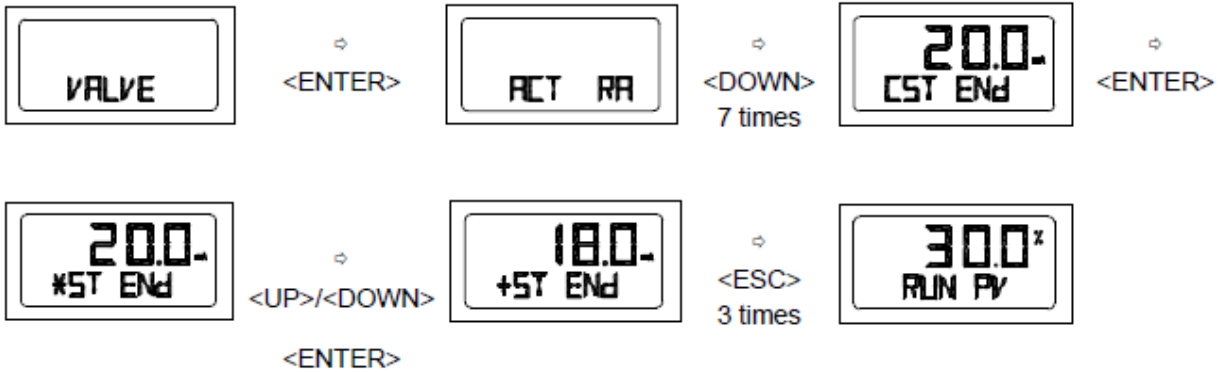


*To activate Custom Zero Setting Mode, the Split Range Mode (SPLIT) must be set to CST

Custom End Setting Mode (CST END):

The Custom End Setting Mode allows the user to set any specific point as the end position. For example, the end point may be set at 11mA.

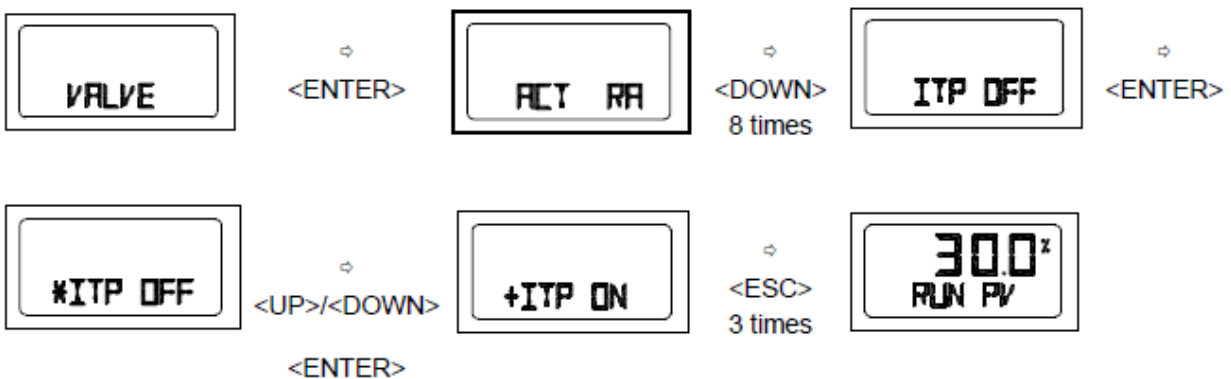
***The difference, between the zero and end points must be greater or equal to 4mA.**



* To activate Custom Zero Setting Mode, the Split Range Mode (SPLIT) must be set to CST

Interpolation Mode (ITP OFF/ON):

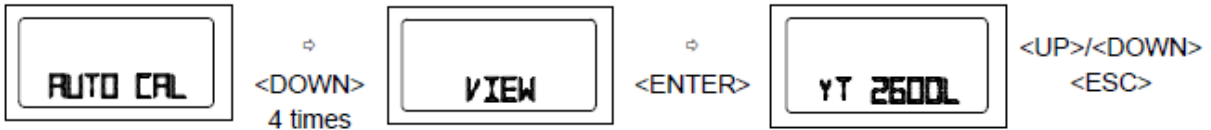
The positioner can accurately control the valve if the feedback lever angle range is within the designed range. In some instances, if the angle exceeds the suggested range angle, Interpolation Mode can reduce the error.



Operation, continued

View Mode (VIEW):

View Mode displays positioner information on the LCD.

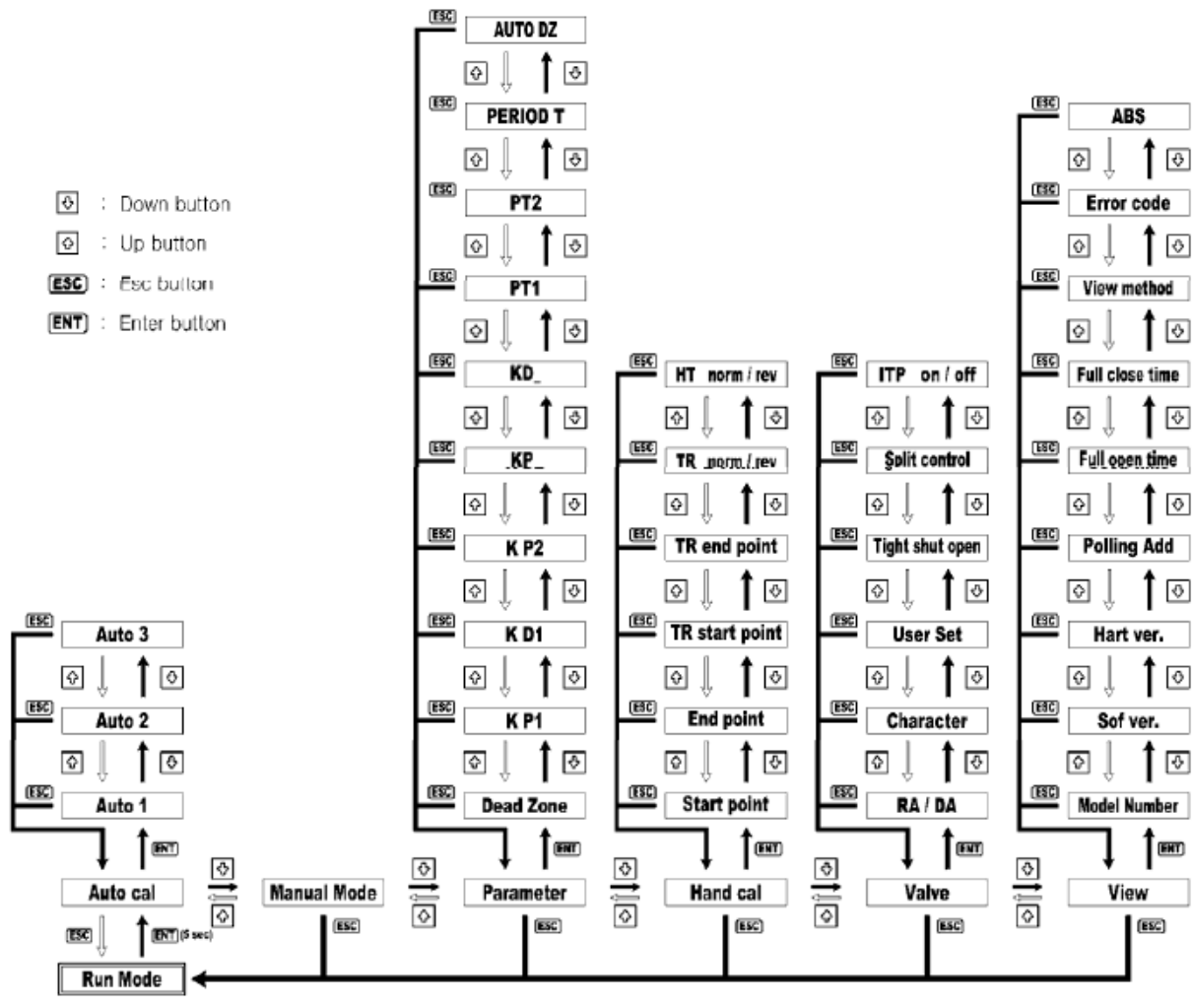


Display	Description
2600L	Positioner Model
VERSION	Main Software Version
HART V	HART Protocol Version
POL Addr	HART Protocol Channel Address
0Y 0d	Total usage time duration
FULL_OP	Time elapsed for valve to fully open
FULL_CL	Time elapsed for valve to fully close
VM NOR	Type of valve stroke (in percentage or value)
Erro	Error code warning message
ABS	Absolute Resistance Value

Error and Warning Codes

Error Code	Code Description and Cause	Action
MT ERR L	-Positioner is improperly installed -Positioner is not level to the ground at 50% point. Lever is at lower position than actual 50% point	-Reinstall the positioner -Ensure the feedback lever does not touch the stopper at 0% and 100%
MT ERR H	-Positioner improperly installed -Positioner is not level to the ground at 50% point. Lever is at higher position than actual 50% point	-Reinstall the positioner - Ensure the feedback lever does not touch the stopper at 0% and 100%
CHK AIR	Valve does not operate when the positioner receives "Full Open" signal during Auto Cal	-Check supply pressure levels
RNG ERR	Operating angle is too small due to improper positioner installation	Adjust the mounting bracket so the positioner can be mounted closer to the actuator
C	Error of 10% or more persists for more than 1 minute -No valve movement -High level of valve friction -Changes in setting pressure of actuator	-Perform BIAS calibration -Check setting pressure of actuator
D	I value reaches a maximum or minimum limit -Changes in valve friction -Changes in setting pressure of actuator	-Perform Auto Cal -Check setting pressure of actuator
B	-Pv Span – Pv Zero range is below 500 -The angle of the feedback lever is too small	-Reinstall the positioner -Ensure the feedback lever does not touch the stopper at 0% and 100% -After reinstallation perform AUTO1
F	-Full Open/Close elapsed time is less than one second -Actuator size is too small	-Use variable orifice -Use larger actuator
G	-Pv is below 100 -The angle of the feedback lever is too large	-Reinstall the positioner -Ensure the feedback lever does not touch the stopper at 0% and 100% -After reinstallation perform AUTO1
H	-Pv is over 4000 -The angle if the feedback is too large	-Reinstall the positioner -Ensure the feedback lever does not touch the stopper at 0% and 100% -After reinstallation perform AUTO1

Main Software Map



Notes:

CVS Controls Ltd. strives for the highest levels of quality and accuracy. The information included in this publication is presented for informational purposes only. CVS Controls Ltd. reserves the right to modify or change, and improve design, process, and specifications without written notice. Under no circumstance is the information contained to be interpreted to be a guarantee/warranty with regard to our products or services, applicability or use.

Selection, use and maintenance are the sole responsibility of the end user and purchaser. CVS Controls assumes no liability for the selection use and maintenance of any product.

CVS

CONTROLS

Head Office

3900 101 Street
Edmonton, Alberta
T6E 0A5
Canada
Office: (780) 437-3055
Fax: (780) 436 5461

Calgary Sales Office

3516 114 Avenue SE
Calgary, Alberta
T2Z 3V6
Canada
Office: (403) 250-1416
Fax: (403) 291-9487

Website: www.cvs-controls.com

Email: info@cvs-controls.com