

Mooney* FlowMax* 2" Regulator

NPT
Flanged CL 150

The Mooney FlowMax 2" Single Port regulator is an economical and easy to maintain pilot loading type regulator specifically designed for low differential pressure applications. It is designed to be used in conjunction with a self contained pilot control system to provide exceptional pressure control.

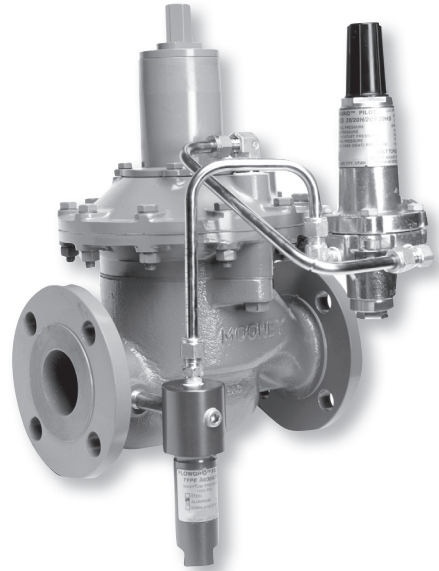
Specifications

Size	2" (DN 50)
Body Style	Single port
End Connections	NPT 150 FF, 150 RF
Temperature Working	-20°F to 150°F (-29°C to 66°C)
Emergency	-40°F to 175°F (-40°C to 79°C)
Max. Operating Differential	250 psi (17 bar)
Max. Casing Pressure	250 psi (17 bar)
Min. Differential	3 psid (0.21 bar)
Max. Inlet Pressure	250 psig** (17 bar)
Outlet Pressure Range Series 20L	5" w.c. to 8 psi (0.01 bar to 0.55 bar)
Series 20	3 psi to 248 psi (0.21 bar to 17 bar)
Pilot Supply Body Tap	One 1/4" - 18 NPT
Sense Line Tap	One 1/2" - 14 NPT

** Limited by pilot or flange rating

Materials of Construction

Body	ASTM A 395 Ductile Iron
Actuator Housing	A 356-T6 Cast Aluminum
Spring Case	A 356-T6 Cast Aluminum
Plug	Nitrile
Diaphragm	Nitrile/Nylon
O-Ring & Seals	Nitrile
Bolting	ASTM B8 or equal
Spring	Music wire



FlowMax 2" Low Differential Regulator with Series 20 Pilot and Type 30 Filter

Overpressure Protection

The Mooney FlowMax regulator has a full ANSI rating of 250 psi (17 bar) on both the inlet and outlet connections as well as the actuator housing assembly. Overpressure protection is required only if the pressure can exceed the flange or body rating.

The pilots, like most regulators, may have an outlet pressure rating lower than the inlet pressure rating. If this is the case, then some external form of overpressure protection must be provided for the pilot.

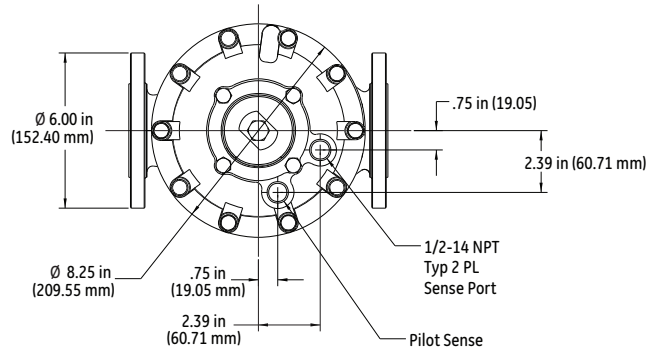
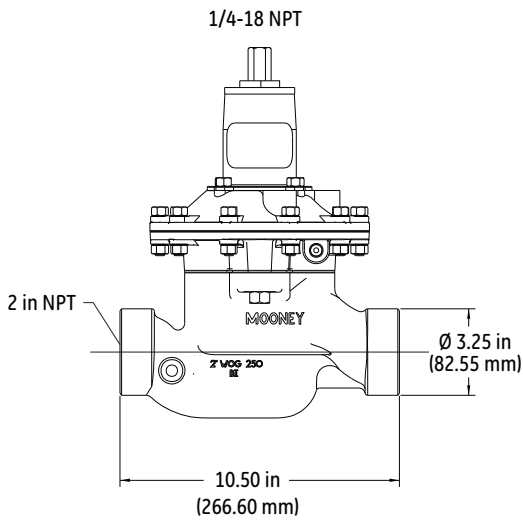
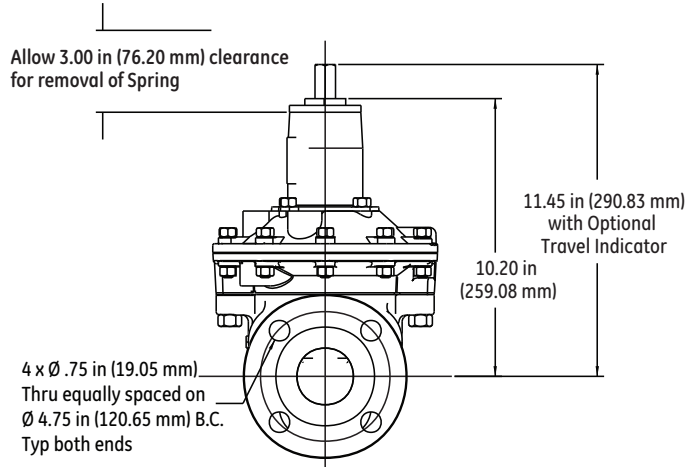
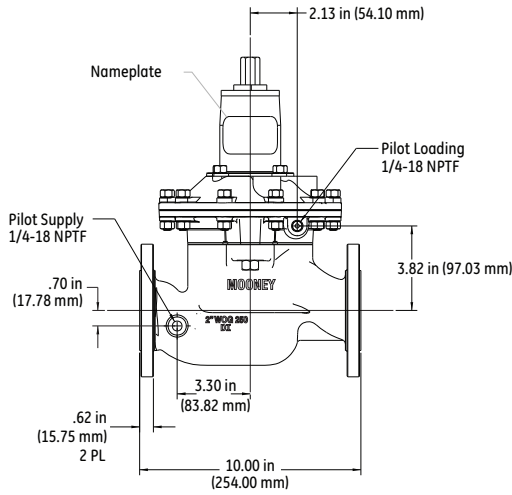
Anytime the FlowMax regulator or pilot system is exposed to pressures in excess of its rating it should be inspected for damage.

Stock Numbers

FlowMax 2" Regulator	Stock Number	Weight
150 CL RF Flanged	FM-1	36 lbs. (16 kg)
2" NPT	FM-2	31 lbs. (14 kg)
150 CL FF Flanged	FM-3	36 lbs. (16 kg)



Dimensions



Flow Coefficients and Constants

FlowMax 2" Single Port Regulator			
Percent Capacity	C _v	C ₁	C _g
100%	64	35	2250
75%	47**	34	1650
50%	34**	32	1200
25%	17**	28	600

** Estimate



GE Oil & Gas
 2822 S. 1030 West
 Salt Lake City, UT 84119
 T: 801.487.2225
 F: 801.487.2587
 Email: mooney.inquiries@ge.com
 Visit us online at: www.ge.com/energy
 ©2012, General Electric Company
 All Rights Reserved
 *Trademark of General Electric Company