

**API-6D MONOGRAMMED
LUBRICATED PLUG VALVES**

***DELTA
VALVES***



QuarterTurn
RESOURCES INC.





DELTA VALVES



PART OF THE VALVITALIA GROUP

VALVITALIA is a World Wide manufacturer of valves and related products to the oil, gas and power industries. As an innovative supplier VALVITALIA offers an array of high quality competitively priced products and services.





QuarterTurn

RESOURCES INC.



QUARTER TURN RESOURCES (QTR) is the exclusive North American Master Distributor for VALVITALIA. We are a major supplier to most companies in the oil and gas industry. With our 40 plus years of experience, we offer our customers many advantages over our competitors which include:

- Three facilities: Two in Ponca City, OK and one in Deer Park, TX
- Large inventory provides for exceptional delivery time
- Full fabrication and coating facilities for standard, below grade and custom applications
- In house automation and controls





FEATURES OF THE PRESSURE BALANCED DELTA LUBRICATED PLUG VALVE

The Pressure Balanced design of the Delta Lubricated Plug Valve eliminates the problems generally associated with older plug valves. Allowing equal pressure above and below the plug reduces the torque required to operate the valve and reduces the incidents of the plug sticking. The proven dependability of a Lubricated Plug Valve, especially in blow down and by-pass applications, make this valve an industry standard in the Oil and Gas Industry.

The Delta Lubricated Plug Valve design provides durable metal-to-metal seats and a renewable seat/sealant system for a bubble-tight shutoff. Sealant injection while the valve is in line and in operation allow for the restoration of damaged seats unlike most other valves. Mounting the valve in any orientation does not effect the torque needed to operate the valve.

Standard carbon steel API-6D and valves are suitable for general service at temperatures from -20°F to +450°F (-29°C to +232°C).

The Delta Lubricated Plug Valve is as a standard feature NACE MR0175-88 compliant.



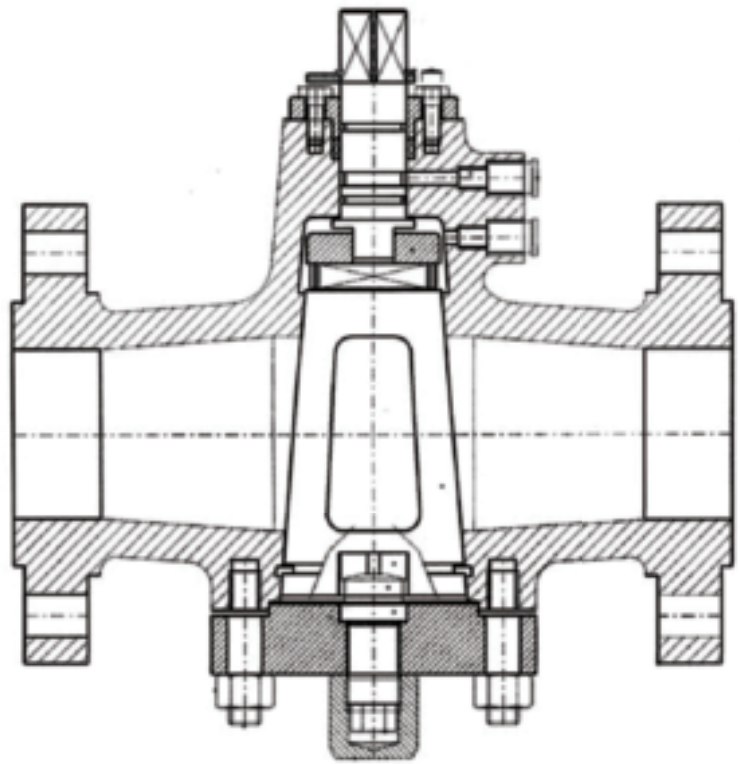
SPECIFICATIONS

SERIES 20

Size Range	2" thru 16"
Pressure Class	ANSI 150 thru 1500
Cast Carbon Steel Construction	Standard
Body & Plug Materials of Construction	A-216WCC*
Top and Bottom Cover Materials of Construction	A-105*
Metal Seated	Standard
Injection Port for Stem	Standard
Injection Port for Body	Standard
ENP Coating on Plug	Standard
NACE MR-01-75 Construction	Standard
Reduced Bore	Standard
Bidirectional	Standard
RF, BW or RTJ flanges to ASME B16.5	Standard
ANSI and API-6D end to end	Standard
API-6D manufactured, tested and monogrammed	Standard
Fire safe design to API-607 & API - 6FA (BS 6755 Pt.2)	Standard
Standard Operating Temperature	-20 degrees F to 450 degrees F

***SPECIAL MATERIALS AVAILABLE UPON REQUEST**





STANDARD FEATURES

STEM AND SEAT SEALANT INJECTION

Sealant systems are incorporated in all Delta metal-seated plug valves and are an integral part of the valve. Periodic sealant injection is required to ensure proper valve performance. Delta Lubricated Plug Valves have dual sealant injection ports as a standard feature allowing for sealant /lubricant to be introduced to the valve sealing area to create a renewable seat and emergency sealant injection to the valve stem area.

STEM

The stem and plug are two separate components and the stem is blow out proof.

STEM SEAL

Sealing system features an O-ring, graphite seal and a third emergency sealing ring for sealant/lubricant injection.



STANDARD FEATURES

SEAT DESIGN

Metal to Metal seat with renewable seats which can be renewed while the valve is in service and under pressure.

BODY DESIGN

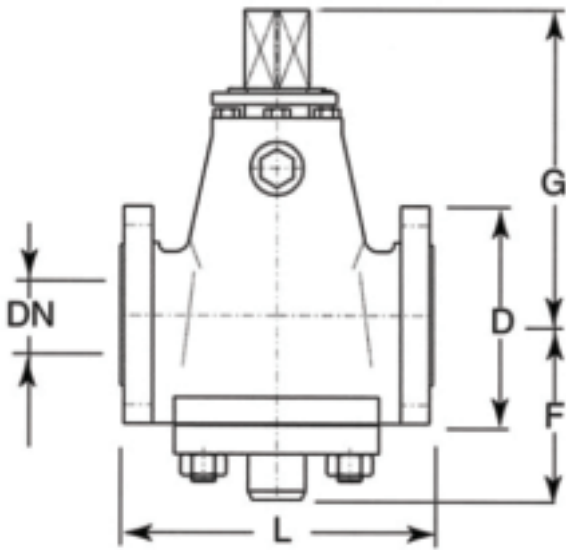
DELTA Lubricated Plug Valves have a robust design body to maximize strength and minimize weight. Uniform composition and toughness is ensured by utilizing a high grade cast steel in manufacturing.

FIRE-SAFE DESIGN AND TEST

The DELTA Lubricated Plug Valve is fire-safe and certified according to API 607 - API 6FA and BS 6755 Pt. 2.

ANSI CLASS 150

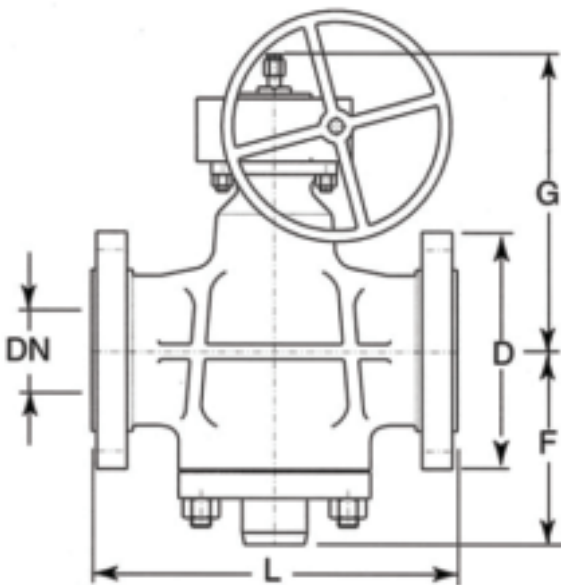
SHORT PATTERN WRENCH OPERATED



SIZE—DN	2"	3"	4"
L—RF	7"	8"	9.062"
L—BW	10.50"	13"	14.062"
D	6"	7.50"	9.062"
F	5"	6.75"	7.50"
G	11.50"	14"	15"
WEIGHT (LBS.)	45	90	135

ANSI CLASS 150

SHORT PATTERN GEAR OPERATED

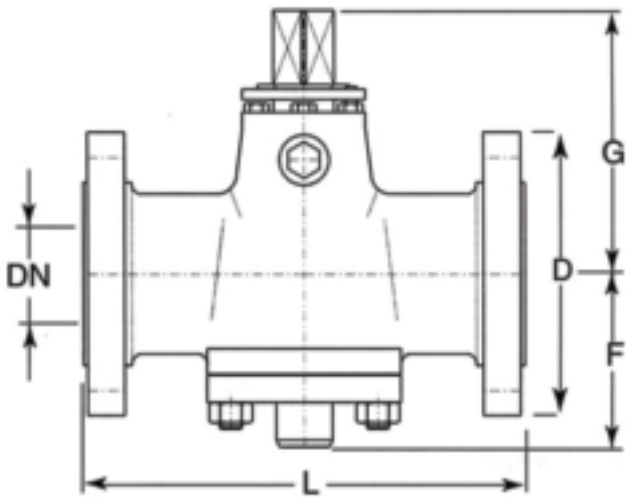


SIZE—DN	6"	8"	10"	12"
L—RF	10.50"	11.50"	13"	14.062"
L—BW	18"	20.50"	22"	25"
D	11"	13.50"	16"	19.062"
F	9.50"	10.25"	11"	11.75"
G	19"	20"	21"	21.75"
WEIGHT (LBS.)	420	375	625	850

HIGHER PRESSURE CLASSES AVAILABLE UPON REQUEST.
DIFFERENT MATERIALS OF CONSTRUCTION AVAILABLE UPON REQUEST.

ANSI CLASS 300

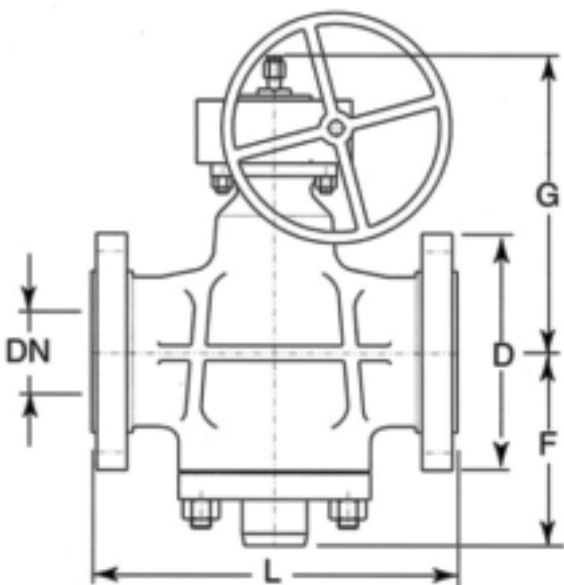
SHORT PATTERN WRENCH OPERATED



SIZE—DN	2"	3"	4"
L—RF	8.50"	11.13"	12"
L—BW	10.50"	13"	14.062"
D	6.50"	8.25"	10"
F	5.50"	6.75"	7"
G	11.50"	14"	15"
WEIGHT (LBS.)	55	110	170

ANSI CLASS 300

SHORT PATTERN GEAR OPERATED

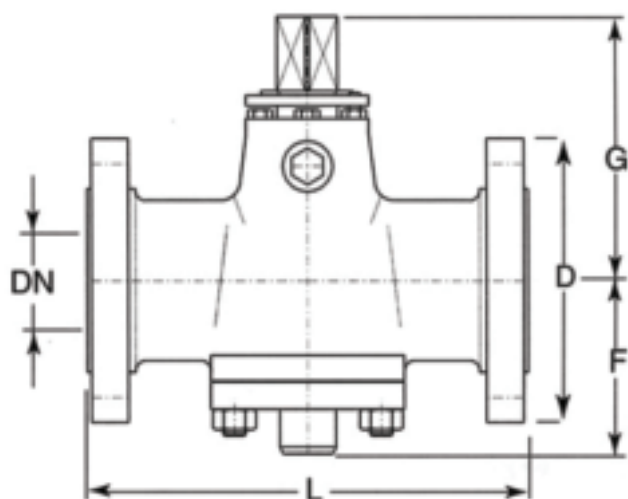


SIZE—DN	6"	8"	10"	12"
L—RF	15.88"	16.50"	18"	19.75"
L—BW	18"	20.50"	22"	25"
D	12.50"	15"	17.50"	20.50"
F	9.50"	10.25"	11"	12"
G	19.63"	21"	21.625"	22.50"
WEIGHT (LBS.)	420	550	625	850

HIGHER PRESSURE CLASSES AVAILABLE UPON REQUEST.
DIFFERENT MATERIALS OF CONSTRUCTION AVAILABLE UPON REQUEST.

ANSI CLASS 600

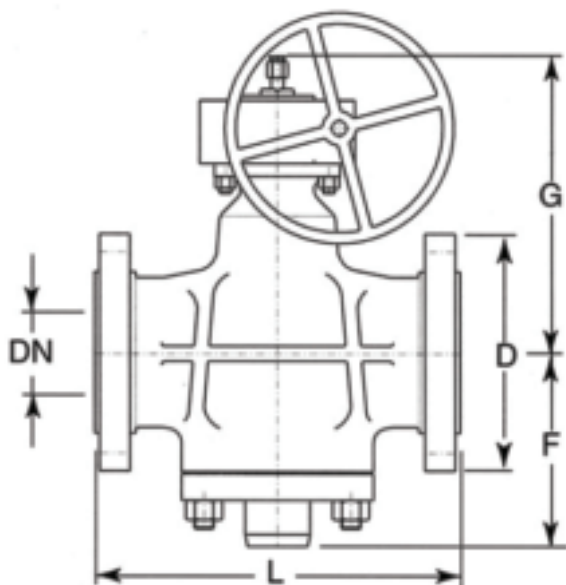
REGULAR PATTERN WRENCH OPERATED



SIZE—DN	2"	3"	4"
L—RF	11.50"	14"	17"
L—BW	11.50"	14"	17"
D	6.50"	8.25"	10.75"
F	5.50"	6.25"	7.25"
G	11.50"	14"	15"
WEIGHT (LBS.)	65	145	200

ANSI CLASS 600

REGULAR PATTERN GEAR OPERATED



SIZE—DN	6"	8"	10"	12"
L—RF	22"	26"	31"	33"
L—BW	22"	26"	31"	33"
D	12.50"	15"	17.50"	20.50"
F	9.50"	10.25"	11"	12"
G	19.63"	21"	21.625"	22.50"
WEIGHT (LBS.)	420	550	625	850

HIGHER PRESSURE CLASSES AVAILABLE UPON REQUEST.
DIFFERENT MATERIALS OF CONSTRUCTION AVAILABLE UPON REQUEST.



ADDITIONAL PRODUCTS

QUARTER TURN RESOURCES ALSO SELLS AND STOCKS OTHER VALVE TYPES WHICH INCLUDE:

- **DELTA TRUNNION MOUNTED BALL VALVES**
- **VITAS FULL OPEN SWING CHECK VALVES**
- **VITAS EXPANDING GATE VALVES**



QuarterTurn

RESOURCES INC.



**3505 W. North Avenue
P.O. Box 1455
Ponca City, OK 74601**

**714 West 13th Street
Deer Park, TX 77536**

**Toll Free: 1-866-765-0183
Phone: 1-580-765-0183
Fax: 1-580-765-0182**

**E-mail: sales@qtrinc.biz
Website: www.qtrinc.biz**

REPRESENTATIVE