



# Swing Check Valves

Full-Open, Bolted Bonnet



H34-750-A  
VITAS  
30  
500  
→  
WCC  
VTE10252-4





### Part of the Valvitalia Group

VALVITALIA is a world-wide manufacturer of valves and related products for the oil, gas and power industries. As an innovative supplier, VALVITALIA offers an array of high-quality, competitively priced products and services.





QTR is the exclusive North American Master Distributor for VALVITALIA. We are a major supplier to most companies in the oil and gas industry. With over 40 years of experience, we offer our customers many advantages over our competitors, including:

- ✦ Two facilities: Ponca City, Oklahoma and Deer Park, Texas
- ✦ Large inventory providing exceptional delivery time
- ✦ Full fabrication and coating facilities for standard, below grade, and custom applications
- ✦ In-house automation and control packages to meet your requirements

**We maintain a large inventory of 2"- 42" valves in stock for immediate delivery.**

# Standard Features

## SPIRAL WOUND GASKET FOR:

Classes ANSI 150 and ANSI 300

## OVAL RING JOINT GASKET FOR:

ANSI Classes 600, 900, 1500 and 2500

## Design Construction:

API 6D - ANSI B16.34

## TESTING ACCORDING TO:

API 6D

## MARKING ACCORDING TO:

MMS SP25 - API 6D

Screwed In Seat

Soft Seat Design

For Pressure  
Temperature Rating,  
See Technical Data

## Flanges According to:

ANSI B16.5 for  
size 2" to 24" -  
ASME B16.47  
Series A for  
size >26"

## BUTT WELDING ENDS ACCORDING TO:

ANSI B 16.25

## FACE-TO-FACE ACCORDING TO:

API 6D

# Dimensions

## ANSI CLASS 150

Size (inch)	A	H	L - RF/WE	Weight RFFE (lbs)	Weight WE (lbs)
2	2.067	6.5	8	45	35
3	3.068	7.75	9.5	75	55
4	4.026	8	11.5	110	90
6	6.065	10	14	190	165
8	7.981	11.75	19.5	350	310
10	10.02	13.875	24.5	525	420
12	12	15.125	27.5	760	605

## ANSI CLASS 300

Size (inch)	A	H	L - RF/WE	Weight RFFE (lbs)	Weight WE (lbs)
2	2.067	8.25	10.5	50	45
3	3.068	9.625	12.5	105	75
4	4.026	11	14	155	115
6	6.065	13	17.5	305	240
8	7.981	17.5	21	525	440
10	10.02	20	24.5	795	705
12	12	21.625	28	1070	870

## ANSI CLASS 600

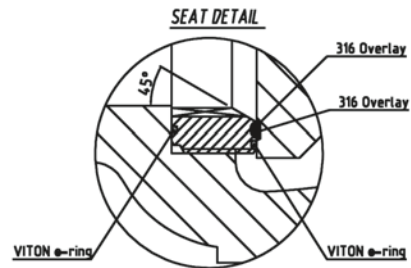
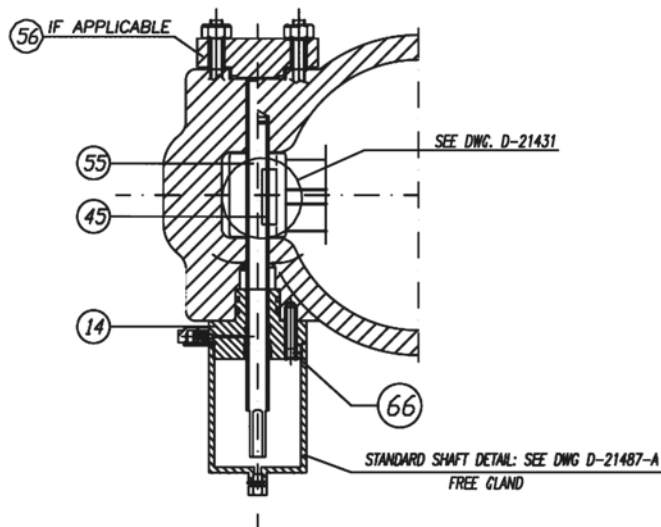
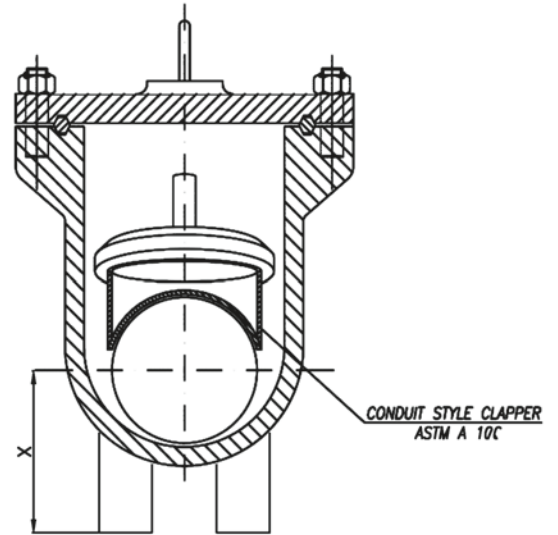
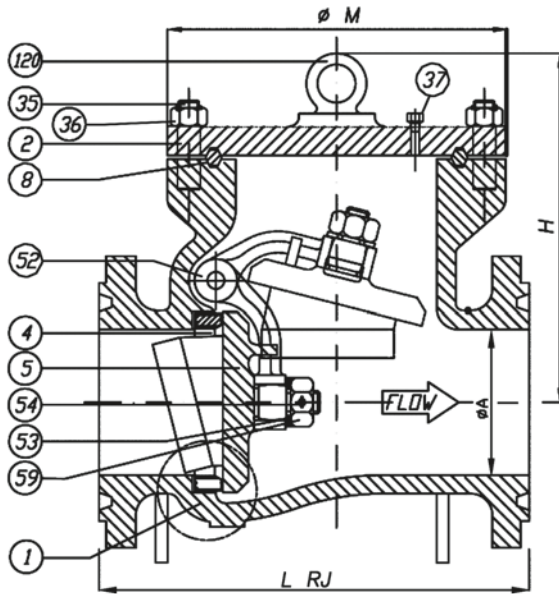
Size (inch)	A	H	L - RF/WE	Weight RFFE (lbs)	Weight WE (lbs)
2	2.067	11.125	11.5	85	65
3	3.068	12.375	14	140	115
4	4.026	14.5	17	265	210
6	6.065	17.25	22	475	400
8	7.981	20.125	26	925	795
10	10.02	22.375	31	1255	1015
12	12	25.5	33	1735	1465
16	15.25	27.25	39	3170	2640
20	19.25	36.25	47	5720	4900
24	23.25	41	55	7985	6675
30	29.02	41.1	65	12963	11949
36	34.49	51	82	23038	21164

## ANSI CLASS 900

Size (inch)	A	H	L - RF/WE	L - RTJ	Weight RFFE (lbs)
2	2.067	11.5	14.5	14.63	115
3	3.068	12.5	15	15.13	200
4	4.026	14.75	18	18.13	380
6	6.065	18	24	24.13	645
8	7.981	21.25	29	29.13	1205
10	10.02	22.5	33	33.13	2075
12	12	28	38	38.13	3435
16	15.25	34.25	44.5	44.88	4665
20	19.25	40	52	52.5	8250
24	23.25	46.875	61	61.75	12320



Note: (1) Dimensions and weights are subject to change without notice (2) Larger sizes and pressure classes available upon request



1	BODY	ASTM A 216 Gr. WCC or A105
2	BONNETT	ASTM A 216 Gr. WCC
4	SEAT	ASTM A 105+F316+VITON
5	DISC	ASTM A 216 Gr. WCC+F316+A106
8	BONNET GASKET	RTJ – SOFT IRON
14	GLAND FLANGE	ASTM A 105 (ZINC PLATED)
35	BONNET STUD BOLTS	ASTM A 193 B7M
36	BONNET NUTS	ASTM A 194 2HM
37	PLUG	AISI 316
45	KEY	AISI 4140
52	HINGE	ASTM A 216 Gr. WCC
53	NUT FOR DISC	ASTM A 194 Gr. 8M
54	SPLIT PIN	AISI 304
55	HINGE PIN	ASTM A564 17 4-PH
56	LATERAL FLANGE	ASTM A 105 (ZINC PLATED)
59	WASHER	AISI 304
66	BOLTS	AISI 316
120	LIFTING	INTEGRAL OR ASTM A105 (ZINC PLATED)

Note: Material according to NACE MR-01-75

# Standard Materials of Construction

## Full-Open Swing Check Valves

- Body - ASTM A216 GR WCB/WCC
- Bonnet - ASTM A216 GR WCB/WCC or A105
- Disc - Carbon steel with 316L SS overlay
- Removable seat - Carbon steel with 316L SS overlay
- Bonnet gasket - spiral wound ANSI Class 150-300  
RTJ gasket (soft iron) ANSI Class 600 and higher
- Seat face seal - Viton
- Hinge - 316 SS (size 2" thru size 4")  
ASTM A216 GR WCB/WCC on size 6" and larger
- Hinge Pin - 316 SS
- 17-4 PH SS for extended hinge pin application
- Bonnet studs - ASTM A193 GR B7M
- Bonnet nuts - ASTM A194 GR 2HM

*Designed, tested, and monogrammed per API-6D*





**Receipt of API certification ensures that check valves have met high standards for the industry.**



**6D - 1652**  
**6D - 1651**

API certification involves stringent requirements for design, testing, documentation and safety of ball valves used in the petroleum and natural gas industries. Receipt of API certification ensures that check valves have met high standards for the industry.

Quarter Turn Resources is a Certified API-6D and API Q1 company. Our facilities in Oklahoma and Texas have been evaluated and certified by API. With annual inspections by API to customer's in-house or contract inspectors (a rigorous Quality Control Program), QTR strives to deliver to you the best quality valves and accessories to meet every specification.

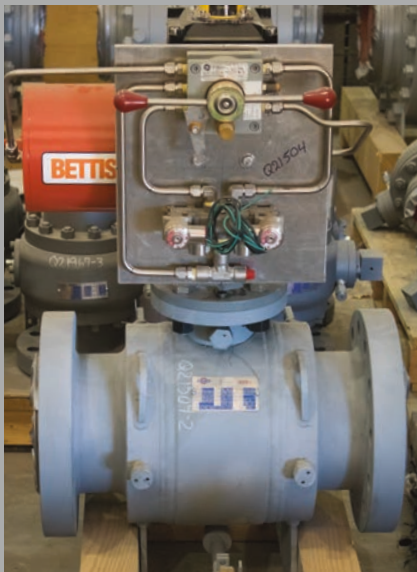
⚙ Quarter Turn Resources, Inc.  
3505 W. North Avenue  
Ponca City, OK 74601

⚙ Quarter Turn Resources, Inc.  
714 W. 13th Street  
Deer Park, TX 77536





## Valve Accessories



- Custom or standard length stem extensions include piping and fittings to raise the body drain, body vent and emergency sealant injection fittings above ground level
- Custom and standard coatings available
- Customer-supplied or QTR-supplied pipe-pups welded by certified welders
- Complete valve accessories and automation done at our facilities
- Special application valves available such as cryogenic, subsea and buried service



# OTHER VALVES OFFERED BY



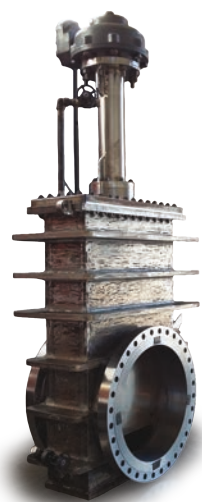
## VITAS Slab Gate Valve

- API-6D, Full Port
- Through-Conduit/Piggable
- Block and Bleed
- Fabricated Body
- 2" thru 60"
- ANSI 150 thru 1500 Class



## VITAS Expanding Gate Valve

- API-6D, Full Port
- Through-Conduit/Piggable
- Double Block and Bleed (DIB)
- Mechanical Positive Isolation
- 2" thru 48"
- ANSI 150 thru 2500 Class



## VITAS CEX Compact Expanding Gate Valve

- API-6D, Full Port
- Double Block and Bleed (DIB)
- Mechanical Positive Isolation
- 6" thru 48"
- ANSI 150 thru 600 Class



# QUARTER TURN RESOURCES

## DELTA Lubricated Plug Valves

- Sizes – 2" to 16" \*
- ANSI Class – 150 to 900
- End configurations – weld, flanged, RTJ
- API-6D certified, tested and labeled
- Meets NACE MR 0175 requirements

\* Other sizes and pressure classes available upon request



## DELTA Type 54/55 Side-Entry, Bolted-Body, Trunnion-Mounted Ball Valves

- Sizes – 2" thru 36" \*
- ANSI Class – 150 to 1500
- End configurations – Weld, Flanged, RTJ
- API-6D certified, tested and monogrammed
- API-607, API-6FA, Fire Safe designed and tested

\* Other sizes and pressure classes available upon request



## DELTA Type 58/59 Trunnion-Mounted Ball Valves, All-Welded Body

- Sizes – 2" thru 42" \*
- ANSI Class – 150 to 1500
- End configurations – Weld, Flanged, RTJ
- API-6D certified, tested and monogrammed
- API-607, API-6FA, Fire Safe designed and tested

\* Other sizes and pressure classes available upon request





Quarter Turn Resources, Inc.  
P.O. Box 1455  
Ponca City, OK 74601

714 W. 13th Street  
Deer Park, TX 77536

Toll-Free 1-866-765-0183  
Phone 1-580-765-0183  
Fax 1-580-765-0182

Email [sales@qtrinc.biz](mailto:sales@qtrinc.biz)  
[www.qtrinc.biz](http://www.qtrinc.biz)

REPRESENTATIVE



6D - 1652  
6D - 1651